

# Solid Thimble BS464:1958

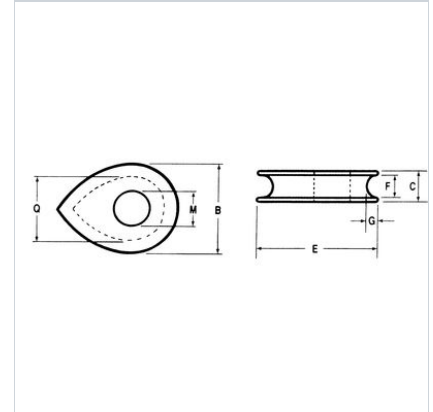
**Standard:**

**Features:** Thimbles to give protect the eye of the wire rope

**Material:** Steel

**Marking:** Manufacturer's symbol

**Finish:** Galvanised



Select a row from the table below, then click the add to quote button

Part Code	Diameter mm	Q mm	B mm	C mm	E mm	F mm	G mm	M max.
04D0220	8	25.4	34.9	11.1	47.6	7.9	4.8	12.7
04D0230	9	31.8	44.4	14.3	57.2	11.1	6.4	15.9
04D0240	11	38.1	52.4	17.5	69.8	12.7	7.1	19
04D0250	13 -14	44.4	60.3	20.6	82.6	14.3	7.9	22.2
04D0260	16	50.8	69.8	22.2	95.2	15.9	9.5	25.4
	18	57.2	79.4	25.4	105	19	11.1	28.6
04D0270	19	63.5	85.7	28.6	118	22.2	11.1	31.8
04D0280	22	69.8	95.2	31.8	127	23.8	12.7	34.9
04D0290	24	76.2	105	33.3	140	25.4	14.3	38.1
04D0300	26	82.6	114	36.5	152	27	15.9	41.3
04D0310	28	88.9	124	39.7	165	30.2	17.5	44.4
04D0320	32	102	140	44.4	191	33.3	19	50.8
04D0330	35	114	156	50.8	210	38.1	20.6	57.2
04D0340	38	127	171	57.2	235	41.3	22.2	63.5

1

Add to quote