

Male Adjuster

Standard: Certex Standard

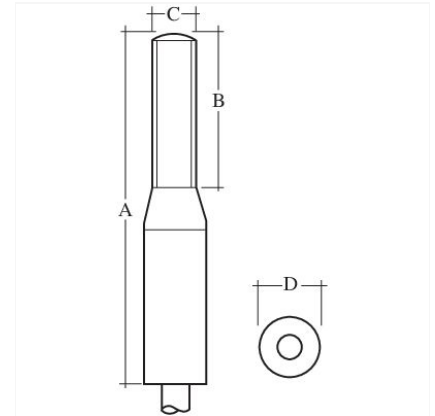
Features: Swaged Male Adjuster to suit small cords

Material: Steel

Marking: Manufacturer's symbol

Finish: Zinc Plated

Safety factor: 5:1



Select a row from the table below, then click the add to quote button

Part Code	Rope diameter mm	Terminal No.	Dia C UNF	Dia D mm	A mm	B mm
04B0510	3	SMA 3	1/4"	7,9	66,6	38,1
04B0520	4	SMA 4	5/16"	7,9	85,7	50,8
04B0530	5	SMA 5	3/8"	11,1	104,7	63,5
04B0540	6	SMA 6	1/2"	12,7	139,7	88,9
04B0550	8	SMA 8	5/8"	15,9	177,8	114,3
04B0560	9	SMA 9	5/8"	19,1	215,9	139,7
04B0570	10	SMA 10	5/8"	19,1	215,9	139,7
04B0580	11	SMA 11	3/4"	22,2	266,7	177,8
04B0590	12	SMA 12				
04B0600	13	SMA 13	7/8"	25,4	314,3	215,9

In some cases 'C' dia will be greater than or the same as 'D' dia.

1

Add to quote