

Quick Release Link for Pear Socket Nemag



The Nemag Quick Release Link has been balanced and perfected to become the most reliable, quickest and safest coupling method for ropes and chains. The contact surface of the C-section has been hardened, which considerably lengthens the life span. The construction of the locking piece ensures reliable functioning; even under severe circumstances. The locking pieces are interchangeable.

Optional: Nemag also supplies a key especially designed for the Quick Release Link. This key has a hexagonal head that fits into the keyhole of the locking piece. The horizontal handle provides sufficient grip to be able to open or close any locking piece with one short movement. The sharp end of the handle can be used to remove dirt on the outside (of the keyhole).



Marking: According to standard, CE-marked

Standard: EN 1677-1

Warning: The working load is the recommended maximum load for grabbing operations when Quick Release Links and Rope Pear Sockets are passing over a special cable sheave. For other applications a safety factor in line with official international and national guidelines has to be adhered to.

Select a row from the table below, then click the add to quote button

Part Code	Code	WLL	MBL t	A mm	B mm	C mm	D mm	E mm	F mm	Weight kg
--	RL-4	3	25	76	76	24,5	19	30	21	0.9
--	RL-5	4.5	33	84	84	27	21	32,5	23	1.2
--	RL-6	5	37.5	92	92	29,5	23	35	25	1.5
--	RL-7	7	49	100	100	32	25	38	28	2
--	RL-8	8	54	108	108	34,5	27	40,5	31	2.5
--	RL-9	9.5	60	116	116	37	29	43,5	34	3.1
--	RL-10	12	75	128	128	40,5	32	48	37	4.4
--	RL-11	15	95	140	140	44	35	53	40	5.7
--	RL-12	17	110	152	152	47,5	38	57	43	7.2
--	RL-13	21	135	164	164	51	41	61,5	46	8.7
--	RL-14	26	160	176	173	54	44	66	50	11
--	RL-15	30	175	188	188	58	47	70,5	52	13.5
--	RL-17	42.5	260	222	222	68	56	84	62	23

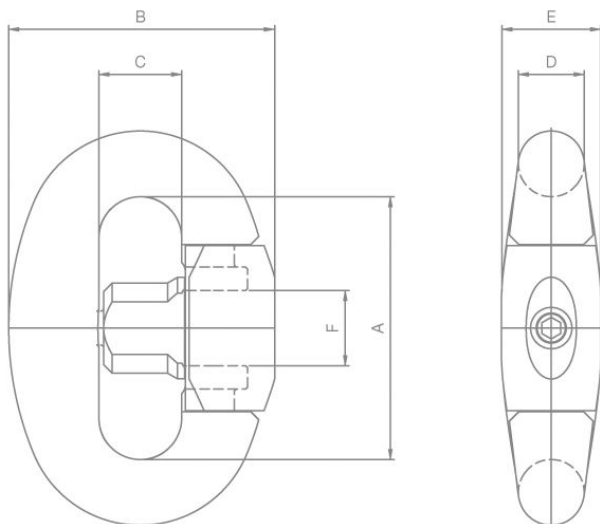
1

Add to quote

Manuals

Manuals

Download



Unit C1, Harworth Industrial Estate
Bryans Close
Harworth
Doncaster
DN11 8RY

[01302 756 777](tel:01302756777)
info@certex.co.uk