

# Fast Connector Socket FCS - with bolt



Forged clevis fittings with bolt, nut and cutterpin for fast connection of steel wire rope. Can be used to terminate all constructions of wire rope including high performance ropes, anti-rotation ropes and standard 6 strand ropes.  
The connector has to be moulded / casted on the steel wire rope with wirelock resin.

- Features:** Designed for use with mobile cranes.
- Material:** Quenched and tempered cast steel.
- Finish:** Blue painted (P) or hot dip galvanized (G).
- Warning:** Compare the spelter's and the wire rope's minimum breaking load.

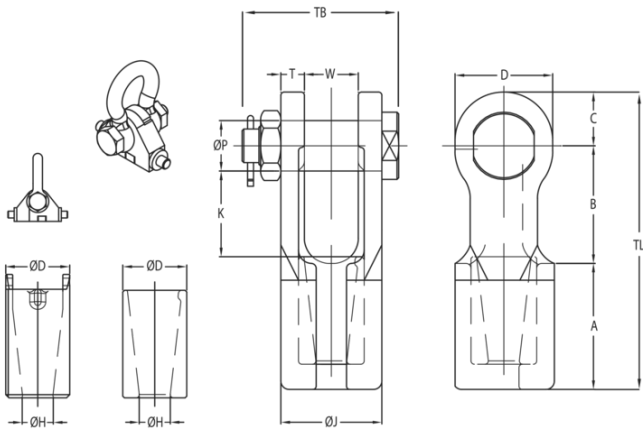


Select a row from the table below, then click the add to quote button

Part Code	Code	MBL	Finish	TB mm	TL mm	For wire Ø mm	A mm	B mm	C mm	Ø H mm	Ø P mm	T mm	W mm	D mm	Ø D mm	Ø J mm	K mm	Weight
--	FCS 701 B	20	P	80	150	11-13	62	61	27	15	25	12	25	50	33	49	46	1.6
--	FCS 702 B	25	P	96	182	13-16	72	78	32	18	30	14	32	58	38	60	59	2.6
--	FCS 703 B	40	P	107	218	16-19	85	93	40	21	35	16	38	70	45	70	69	4.5
--	FCS 704 B	55	P	123	253	20-22	102	106	45	24	41	19	44	80	50	82	81	6.5
--	FCS 705 B	75	P	138	298	23-26	115	123	60	28	51	22	51	104	60	95	90	11
--	FCS 706 B	90	P	160	357	27-29	140	152	65	32	57	25	57	114	70	107	116	16

1

Add to quote



---

Unit C1, Harworth Industrial Estate  
Bryans Close  
Harworth  
Doncaster  
DN11 8RY

01302 756 777  
[info@certex.co.uk](mailto:info@certex.co.uk)