

# Closed Spelter Socket



**General:** Forged eye fittings for embedment with cast compound.

**Finish:** Galvanized.

**Note:** For intermediate rope diameter select fittings with nearest following size.

**Warning:** Compare the spelter's and the wire rope's minimum breaking load.

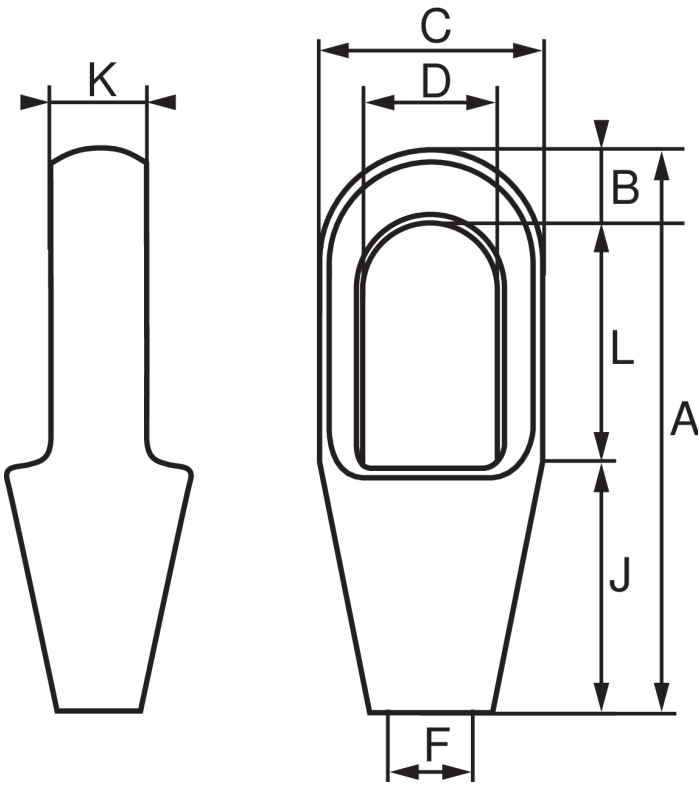


Select a row from the table below, then click the add to quote button

Part Code	Code	MBL t	Diameter mm	A mm	B mm	C mm	D mm	F mm	J mm	K mm	L mm	Weight kg
--	G-71	8	6-7	101	11	37	22	8,5	50	13	40	0.3
--	G-72	12	8-10	119	14	43	25	12	57	17,5	48	0.5
--	G-73	20	11-13	140	17,5	51	30	14	63,5	22,5	59	0.7
--	G-74	25	14-16	162	20,6	67	36	17,5	76	26	65	1.3
--	G-75	40	18-19	194	27	76	42	21	89	32	78	2.1
--	G-76	55	20-22	224	33	92	47	24	101	38	90	3.6
--	G-77	75	23-26	253	36	104	57	28	114	44	103	5.3
--	G-78	90	27-30	282	39	114	63	32	127	51	116	7
--	G-79	125	31-36	312	43	127	70	38	139	57	130	9.7
--	G-80	150	37-39	358	51	136	79	41	152	63	155	13
--	G-81	170	40-42	390	54	146	83	44	165	70	171	17
--	G-82	225	43-48	443	55	171	93	51	190	76	198	26
--	G-83	280	49-54	502	62	193	100	57	216	82	224	37.5
--	G-84	360	55-60	548	73	216	112	63	228	92	247	50

1

Add to quote



---

Unit C1, Harworth Industrial Estate  
Bryans Close  
Harworth  
Doncaster  
DN11 8RY

[01302 756 777](tel:01302756777)  
[info@certex.co.uk](mailto:info@certex.co.uk)