

# Lubricant Brilube 40

## BRIDON

**Typical applications:** Lifts, elevators and similar friction driven rope installations.

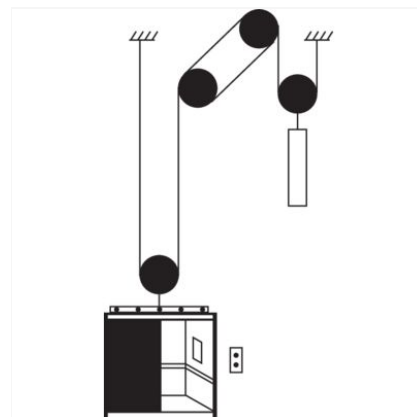
**General:** A synthetic lubricant which deposits a slip-resistant film on the wire surfaces.

Formulated for use where frictional grip is vital, it provides internal lubrication whilst avoiding excessive build-up with repeated applications.

**Minimum application temperature:** -5°C.

**Application method:** Dipping or brushing.

**Temperature range:** -80°C up to +40°C



Select a row from the table below, then click the add to quote button

Part Code	Packing
04K0040	20 l
--	205 l

1

Add to quote

Unit C1, Harworth Industrial Estate  
Bryans Close  
Harworth  
Doncaster  
DN11 8RY

01302 756 777  
[info@certex.co.uk](mailto:info@certex.co.uk)