

Wedge Socket for Lifts

Standard: SS-EN 13411-7

When fitting the rope to the socket as much slack as possible should be removed from the system in order to maximise the available eye bolt adjustment. The load should then be applied to the assembly and the wedge observed to seat correctly in the socket body. A single DIN 1142 wire rope grip should then be fitted across the two parts of rope near to the socket body. This, along with the split pin fitted into the wedge, ensures that the wedge cannot become displaced in a slack rope condition.

Features: High Quality Lift Suspension Wedge Socket

Material: Galvanised Steel

Marking: According to standard, Size and CE mark

Finish: Galvanised

Standard: EN 13411-7

Safety factor: 10:1

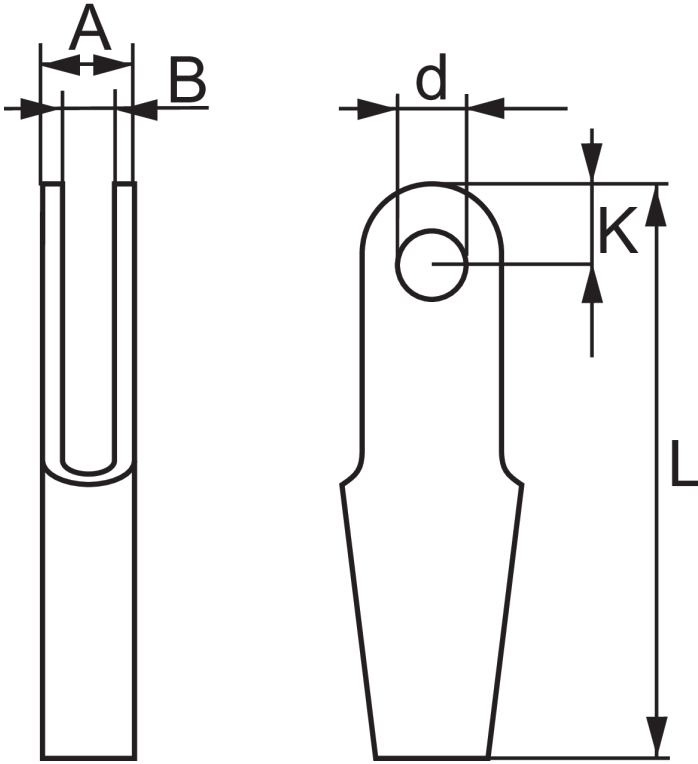


Select a row from the table below, then click the add to quote button

Part Code	Code	Wire Ø (mm)	A mm	B mm	K mm	L mm	D mm	Weight kg
04G0010	3050	6-8	22	14	20	150	12	0.5
04G0020	3051	9-11	29	17	26	190	16	1.1
04G0030	3052	12-14	38	22	32	230	18	2.1
04G0040	3053	15-17	45	25	36	260	22	3.5
--	3054	18-20	51	27	40	300	25	5.5

1

Add to quote



Unit C1, Harworth Industrial Estate
Bryans Close
Harworth
Doncaster
DN11 8RY

01302 756 777
info@certex.co.uk