

# Rubber Bumpers for Wedge Sockets

**Standard:** DIN 13411-7 (previously DIN 15315)

**Features:** Wedge Suspension kit Type D with Eyebolt, Spring, nuts and split pin

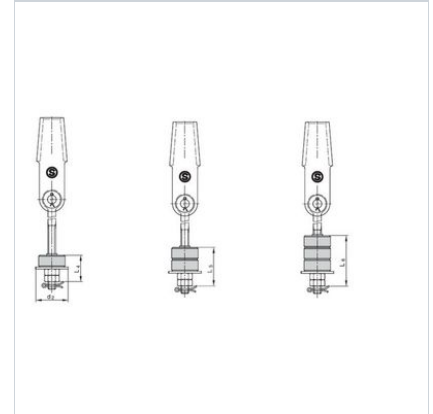
**Material:** Socket and Eyebolt Galvanised Steel - buffer Rubber

**Marking:** According to standard, Size and CE mark

**Finish:** Socket and Eyebolt Galvanised

**Standard:** EN 13411-7

**Safety factor:** 10:1



Select a row from the table below, then click the add to quote button

Part Code	Diameter mm	Thread	RopeDiamm min	Type FP d2	Type FP L4	Type FP2 L5	Type FP3 L6
04G0210	8	M12	6	50	51	79	107
04G0220	11	M16	9	58	59	87	115
04G0230	14	M20	12	68	65	93	121
04G0240	17	M24	15	80	74	102	130

1

Add to quote

Unit C1, Harworth Industrial Estate  
Bryans Close  
Harworth  
Doncaster  
DN11 8RY

01302 756 777  
[info@certex.co.uk](mailto:info@certex.co.uk)