

# Closed Spelter Socket CSS



The Ropeblock closed spelter socket CSS designed with mechanical values (Charpy-V > 42 joule / - 20° C) for tough and low temperature use.

All sockets have a 100% efficiency on the MBL of the steel wire rope but are limited to the MBL of the socket.

The CSS sockets are Type Approved by DNV and Lloyd's Register.

CSS 296 until CSS 201 only available with hot dipped galvanized finish.

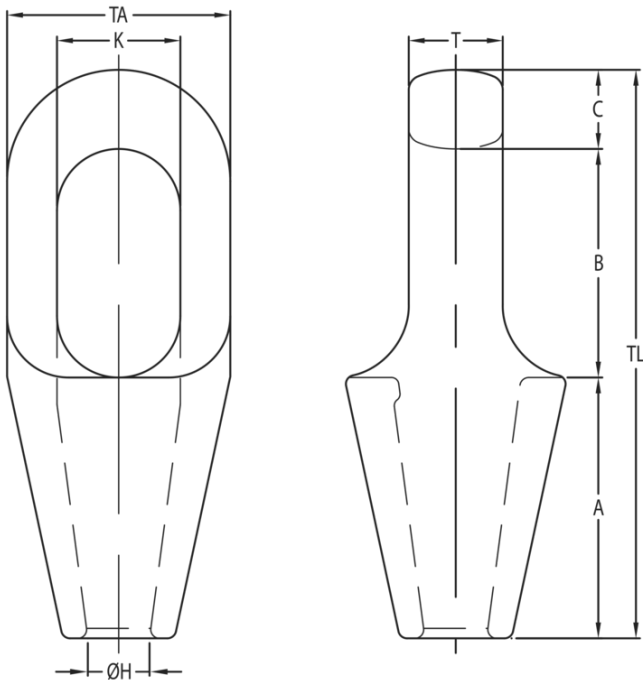
**Material:** Quenched and tempered cast steel.

**Marking:** According to standard, CE-marked

**Temperature range:** - 40°C to + 110°C - Use at higher temperatures possible with reduction of WLL.

**Finish:** Hot dipped Galvanized (G) or painted blue (P).

**Standard:** EN 10204



Select a row from the table below, then click the add to quote button

Part Code	Rope diameter mm	MBL ton	Finish	Strand Ø mm	TL mm	TA mm	A mm	B mm	C mm	Ø H mm	K mm	T mm	Weight kg
-----------	---------------------	------------	--------	----------------	----------	----------	---------	---------	---------	-----------	---------	---------	--------------

10.10CSS296.GAL	6-7	8	Galvanized		101	37	50	40	11	9,1	22	13	0,3
10.10CSS297.GAL	8-10	12	Galvanized		119	43	57	48	14	12,6	25	18	0,5
10.10CSS298.GAL	11-13	20	Galvanized		140	51	64	59	17,5	14,6	30	23	0,7
10.10CSS299.GAL	14-16	25	Galvanized	13	162	67	76	65	21	18,1	36	26	1,4
10.10CSS200.GAL	18-19	40	Galvanized	14-16	194	76	89	78	27	21,9	42	32	2,2
10.10CSS201.GAL	20-22	55	Galvanized	18-19	224	92	101	90	33	24,9	47	38	3,8
10.10CSS204	23-26	75	Painted	20-22	253	104	114	103	36	28,8	57	44	5,4
10.10CSS204.GAL	23-26	75	Galvanized	20-22	253	104	114	103	36	28,8	57	44	5,4
10.10CSS207.GAL	27-30	90	Galvanized	23-26	282	114	127	116	39	32,9	65	51	7
10.10CSS207	27-30	90	Painted	23-26	282	114	127	116	39	32,9	65	51	7
10.10CSS212.GAL	31-36	125	Galvanized	27-28	312	126	139	130	43	39,2	71	57	10
10.10CSS212	31-36	125	Painted	27-28	312	126	139	130	43	39,2	71	57	10
10.10CSS215	37-39	150	Painted	30-32	358	136	152	155	51	42,5	81	63	13
10.10CSS215.GAL	37-39	150	Galvanized	30-32	358	136	152	155	51	42,5	81	63	13
10.10CSS217	40-42	170	Painted	33-35	390	146	165	171	54	45,5	83	70	17
10.10CSS217.GAL	40-42	170	Galvanized	33-35	390	146	165	171	54	45,5	83	70	17
10.10CSS219	43-48	225	Painted	36-40	443	171	190	198	55	52,5	93	76	26
10.10CSS219.GAL	43-48	225	Galvanized	36-40	443	171	190	198	55	52,5	93	76	26
10.10CSS222	49-54	280	Painted	42-45	502	193	216	224	62	59,1	100	82	37
10.10CSS222.GAL	49-54	280	Galvanized	42-45	502	193	216	224	62	59,1	100	82	37
10.10CSS224.GAL	55-60	360	Galvanized	46-48	548	216	228	247	73	65,1	112	92	50
10.10CSS224	55-60	360	Painted	46-48	548	216	228	247	73	65,1	112	92	50
10.10CSS226.GAL	61-68	425	Galvanized	50-54	257	241	248	270	79	73,4	140	102	66
10.10CSS226	61-68	425	Painted	50-54	257	241	248	270	79	73,4	140	102	66
10.10CSS227	69-75	460	Painted	56-62	644	273	279	286	79	79,4	159	124	91
10.10CSS227.GAL	69-75	460	Galvanized	56-62	644	273	279	286	79	79,4	159	124	91
10.10CSS228	76-80	560	Painted	64-67	696	292	315	298	83	88,2	171	133	117
10.10CSS228.GAL	76-80	560	Galvanized	64-67	696	292	315	298	83	88,2	171	133	117
10.10CSS229.GAL	81-86	625	Galvanized	69-76	743	311	330	311	102	92,4	184	146	125
10.10CSS229	81-86	625	Painted	69-76	743	311	330	311	102	92,4	184	146	125
10.10CSS230.GAL	87-93	720	Galvanized	78-86	788	330	356	330	102	98,8	197	159	176
10.10CSS230	87-93	720	Painted	78-86	788	330	356	330	102	98,8	197	159	176
10.10CSS231.GAL	94-102	875	Galvanized	88-96	845	362	381	356	108	107,8	216	178	228
10.10CSS231	94-102	875	Painted	88-96	845	362	381	356	108	107,8	216	178	228
10.10CSS233.GAL	108-115	1 200	Galvanized	98-110	1 000	405	450	425	125	129,5	235	190	323
10.10CSS233	108-115	1 200	Painted	98-110	1 000	405	450	425	125	129,5	235	190	323
10.10CSS240	120-130	1 400	Painted	112-124	1 150	450	500	525	125	147,1	260	200	447
10.10CSS240.GAL	120-130	1 400	Galvanized	112-124	1 150	450	500	525	125	147,1	260	200	447
10.10CSS245.GAL	135-140	1 600	Galvanized	125-132	1 185	520	540	495	150	153,9	290	220	645
10.10CSS245	135-140	1 600	Painted	125-132	1 185	520	540	495	150	153,9	290	220	645
10.10CSS250	142-153	2 000	Painted	133-143	1 285	545	585	530	170	171,1	305	240	741
10.10CSS250.GAL	142-153	2 000	Galvanized	133-143	1 285	545	585	530	170	171,1	305	240	741
10.10CSS255	154-165	2 220	Painted	144-154	1 370	575	630	565	175	185,1	330	250	860
10.10CSS255.GAL	154-165	2 220	Galvanized	144-154	1 370	575	630	565	175	185,1	330	250	860
10.10CSS260.GAL	166-178	2 500	Galvanized	155-166	1 450	595	680	590	180	199,1	330	270	985

10.10CSS260	166-178	2 500	Painted	155-166	1 450	595	680	590	180	199,1	330	270	985
10.10CSS265.GAL	180-191	2 800	Galvanized	167-179	1 535	625	725	620	190	213	350	290	1 183
10.10CSS265	180-191	2 800	Painted	167-179	1 535	625	725	620	190	213	350	290	1 183
10.10CSS270	192-204	3 200	Painted	180-191	1 635	690	775	650	210	228,5	395	305	1 487
10.10CSS270.GAL	192-204	3 200	Galvanized	180-191	1 635	690	775	650	210	228,5	395	305	1 487

1

Add to quote

Unit C1, Harworth Industrial Estate  
Bryans Close  
Harworth  
Doncaster  
DN11 8RY

01302 756 777  
[info@certex.co.uk](mailto:info@certex.co.uk)