

U-Bolt Clip SS



General: Wire rope clips for steel wire rope for general applications.
Design: Forged U-bolt and casted bases.

Material: Bases AISI 316, u-bolt AISI 304.
Note: Follow the fitting instructions in the user manual before use.

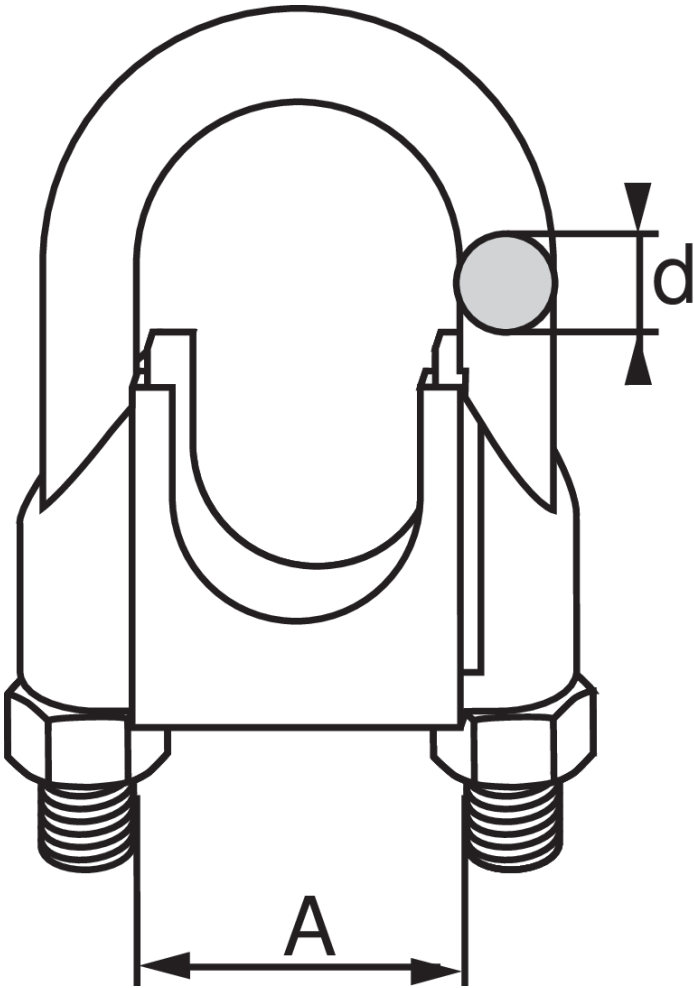


Select a row from the table below, then click the add to quote button

Part Code	Diameter mm	A mm	D mm	Weight kg/100pc
04E0130	3	5	4	1.4
04E0140	5	6	5	1.5
04E0150	6	8	5	2.1
04E0160	8	10	6	4.1
04E0170	10	13	8	6.8
04E0180	12	14	10	13
--	16	20	12	21

1

Add to quote



Unit C1, Harworth Industrial Estate
Bryans Close
Harworth
Doncaster
DN11 8RY

01302 756 777
info@certex.co.uk