

U-Bolt Clip DIN 741



General: Wire rope clips for steel wire rope for general applications.

Design: Forged u-bolts and casted bases.

Marking: According to standard

Finish: Electro-Galvanised

Standard: DIN 741

Note: Follow the fitting instructions in the user manual before use.

Warning: Not for lifting!

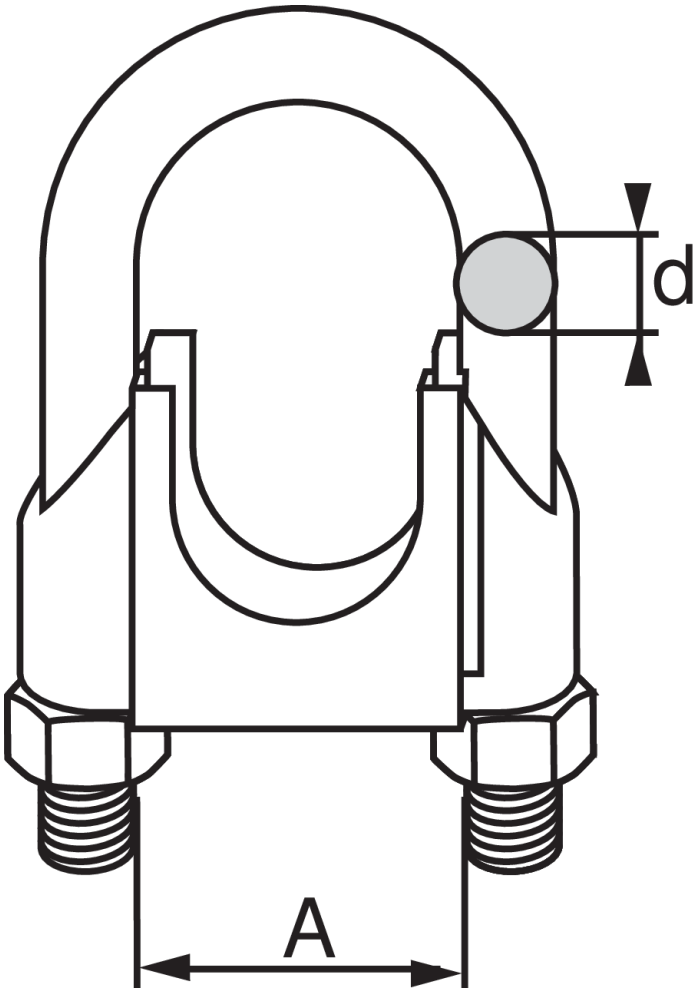


Select a row from the table below, then click the add to quote button

Part Code	Diameter mm	Type	A mm	D mm	Weight kg/100pc
04E0190	3	2,000	5	4	1.4
04E0200	5	2,001	6	5	1.5
04E0210	6	2,002	8	5	2.1
--	8	2,003	10	6	4.1
04E0220	10	2,004	11	8	6.8
04E0230	13	2,006	14	10	13
04E0240	16	2,008	17	12	21
04E0250	19	2,009	20	12	28
04E0260	22	2,010	23	14	40
04E0270	26	2,011	27	14	44
04E0280	30	2,012	32	16	66
--	34	2,013	36	16	75
--	40	2,014	42	16	104

1

Add to quote



Unit C1, Harworth Industrial Estate
Bryans Close
Harworth
Doncaster
DN11 8RY

01302 756 777
info@certex.co.uk