

Porta-Gantry

- 4:1 strength to weight ratio, high tensile alloy compared with steel
- Rapid assembly – dismantles into 3 portable parts on 4 bolts
- Ease of transportation – of van or trailer
- Flat-packability – A-Frame legs fold-in for more compact transport or storage.
- Safety features
- Beam section has great torsional stability compared to I sections.
- Captive beam trolley is inherently safe.
- Trolley friction brake
- Ease of handling
- Simple height & span adjustment
- Castor wheels are 360° swivel locking with anti-scurf polyurethane tread
- Carry handles to beams.
- Finger grips on custom beam and leg sections.
- Anodised alloy surface finish as standard
- Suitable for clean environments.
- Corrosion resistant – low maintenance.
- Manual handling compliance – without mechanical aids



Features: Lightweight & Portable

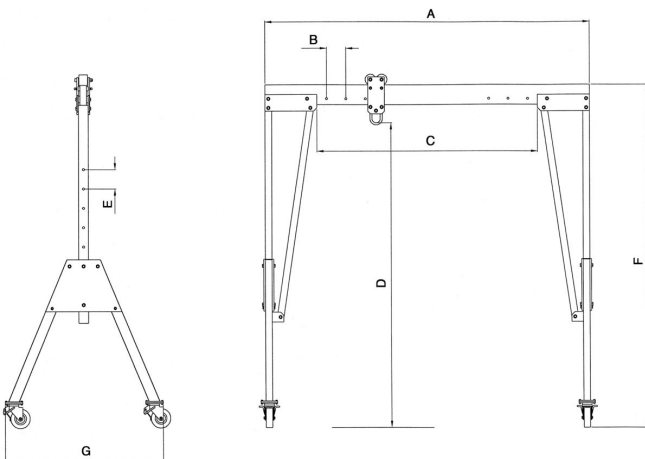
Select a row from the table below, then click the add to quote button

Part Code	WLL	Overall Beam Strength A mm	Span Adjustment Increment B (mm)	Max Working Span C mm	Max Height to Lifting Eye D mm	Height Adjustment Increment E mm	Min Height to lifting eye mm	Max Height to Top of Beam F mm	Max Width across legs G mm	Fully assembled weight kg	Beam weight kg	A-Frame weight
--	500	2 500	200	1 580	2 361	150	1 611	2 678	1 220	66	16	25
--	1 000	3 920	200	3 000	2 854	150	2 104	3 171	1 429	107	27	40
--	2 000	4 570	200	3 650	3 143	200	2 143	3 459	1 726	136	33	52
--	3 000	4 570	200	3 650	4 089	200	2 889	4 405	2 011	210	50	80

Custom spans, heights and Weight Load Limits (WLL) on application

1

Add to quote



Unit C1, Harworth Industrial Estate
Bryans Close
Harworth
Doncaster
DN11 8RY

01302 756 777
info@certex.co.uk