

Crane Weigher

Crane scales are a universal tool for all kinds of lifting purposes. The main principle is hydrostatic, the construction is robust without maintenance. The large deals allow for quick, accurate and easy reading. Designed for continuous use.

- Robust construction;
- Easy calibration;
- Accuracy within +/- 1% of full scale;
- Light weight – low height;
- The dial plate is covered with hard acrylic glass;
- 160 mm scale diameter;
- Graduated in kilogrammes and tonnes;
- Hook with latch bottom suspension up to 5.000 kg;
- Eye – eye suspension over 5.000 kg;
- Remote reading also available.



Features: Accuracy better than display resolution (1% of rated load, nominal).

Temperature range: -20°C up to +50°C

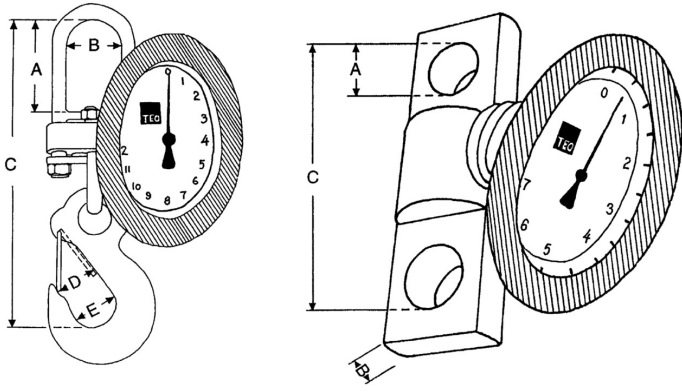
Finish: Zinc plated.

Select a row from the table below, then click the add to quote button

Part Code	WLL ton	Type	SWL	Division kg	A mm	B mm	C mm	D mm	E mm	Weight kg
--	0,2	200-SK 1	5:1	1	68	54	254	27	35	5
--	0,32	320-SK 2	5:1	2	68	54	254	27	35	5
--	0,5	500-SK 2	5:1	2	68	54	254	27	35	5
--	0,75	750-SK 5	5:1	5	68	54	254	27	35	5
--	1,25	1250-SK 5	5:1	5	68	54	254	27	35	5
--	2	2000-SK 10	5:1	10	68	54	254	27	35	5
--	3,2	3200-SK 20	5:1	20	93	54	304	34	46	5,5
--	5	5000-SK 20	5:1	20	93	54	328	42	56	6,5
--	7,5	7500-SK 50	4:1	50	40	41	213	-	-	8,1
--	12,5	12500-SK 50	4:1	50	40	41	213	-	-	8,1
--	25	25000-SK 100	4:1	100	55	42	267	-	-	12,9
--	32	32000-SK 200	4:1	200	75	56	329	-	-	30
--	50	50000-SK 200	4:1	200	75	56	329	-	-	30
--	85	85000-SK 500	4:1	500	85	60	390	-	-	60

1

Add to quote



Unit C1, Harworth Industrial Estate
Bryans Close
Harworth
Doncaster
DN11 8RY

[01302 756 777](tel:01302756777)
info@certex.co.uk