

Manual Trolley Elephant

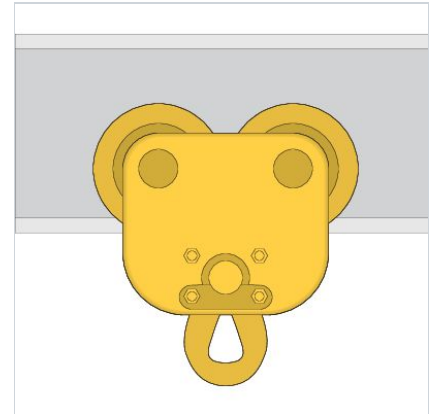


General: Elephant plain trolleys are top quality. With a solid and compact design Elephant trolley is adjustable to any beam width within specified range by simple adjustment of No. of spacers. Wheels with high grade sealed ball bearings are made to fit any shape of "I" beam. For extra safety, units come with Anti Drop Plates.

Proof load: 1,5 x WLL.

Marking: WLL, code and CE marking.

Finish: Painted.

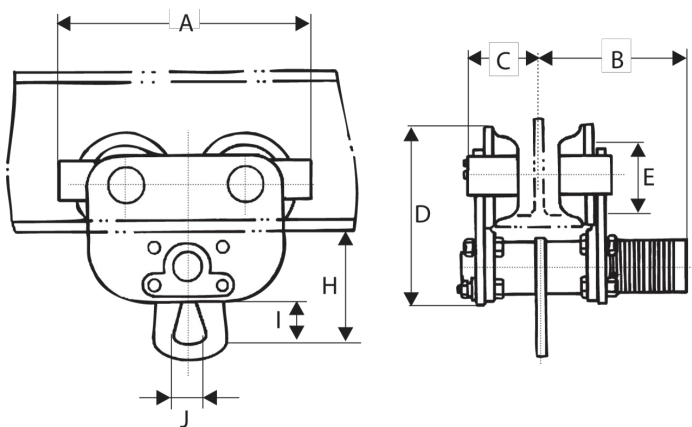


Select a row from the table below, then click the add to quote button

Part Code	WLL ton	Width of al-beam	Min curve radius (m)	A mm	B mm	C mm	D mm	E mm	H mm	I mm	J mm	Weight kg
06C0130	0.5	60-130	0,9	229	130	68	160	70	108	38	28	8
06C0150	2	70-155	1,2	308	155	80	209	98	150	60	40	19
06C0160	3.15	90-160	1,7	326	152	94	239	115	175	65	50	27
--	5	90-180	2,3	367	183	102	298	125	220	80	60	49
--	7.5	125-190	3	470	187	187	290	158	245	100	80	98
--	10	125-190	3	470	187	187	290	158	245	100	80	100
--	16	150-190	6	669	230	230	410	197	370	150	140	295
--	20	150-190	6	669	230	230	410	197	370	155	140	400

1

Add to quote



Unit C1, Harworth Industrial Estate
Bryans Close
Harworth
Doncaster
DN11 8RY

01302 756 777
info@certex.co.uk