

## Lever Hoist KITO LB Series

# KITO

**General:** The standard KITO LB Lever Hoist is supplied with a freewheel safeguard and the bottom hook is riveted in four places. The lever hoists are built with premium grade components for long life in demanding industrial applications. Its double-reduction gearing reduce size and weight and requires minimum power to operate. Sealed gears and brake are protected against damage from dust and water. Open load sheave allows easy inspection and cleaning without dismantling the unit.

**Options:**

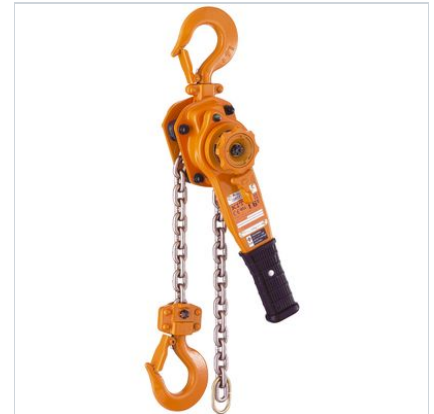
- Friction clutch
- Overload signal
- Wire rope clip
- Shipyard hook
- Without freewheel mechanism

**Material:** High impact steel housing, nickel-plated load chain grade V (G100) according to EN 818-7.

**Marking:** WLL, code and CE marking.

**Finish:** Painted.

**Safety factor:** 4:1.



Select a row from the table below, then click the add to quote button

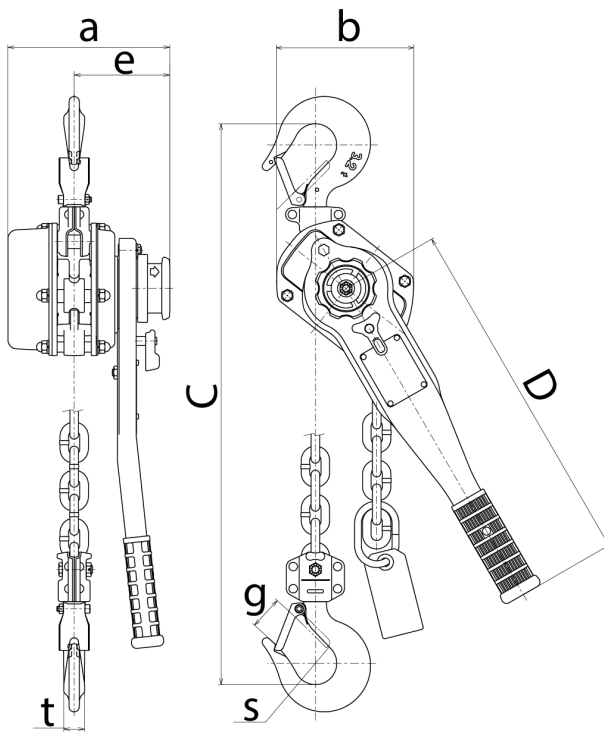
Part Code	Code	WLL ton	Lifting height (m)	s (mm)	Hand pull to lift full load daN	Load chain Ø (mm)	Chain falls	A mm	B mm	C mm	D mm	e (mm)	g (mm)	t mm	Weight kg
06B0410	LB008	0.8	1.5	35,5	28,4	5,6 x 15,7	1	144	119	280	245	97	23,5	14,0	5.7
06B0420	LB010	1	1.5	42,5	35,3	5,6 x 15,7	1	144	119	300	245	97	29,0	15,0	5.9
06B0430	LB016	1.6	1.5	42,5	33,3	7,1 x 19,9	1	159	126	335	265	100	32,0	19,0	8
06B0440	LB025	2.5	1.5	47,0	36,3	8,8 x 24,6	1	173	150	375	265	102	36,5	21,0	11.2
06B0450	LB032	3.2	1.5	50,0	36,3	10,0 x 28,0	1	190	159	395	415	112	39,0	24,5	15
06B0460	LB063	6.3	1.5	60,0	37,2	10,0 x 28,0	2	190	217	540	415	112	50,0	34,0	26
06B0470	LB090	9	1.5	85,0	38,2	10,0 x 28,0	3	190	304	680	415	112	72,5	41,5	40

\*Weight with 1,5 m standard lifting height.

The last 2 digits in the Art No indicates the lifting height.

1

Add to quote



Unit C1, Harworth Industrial Estate  
 Bryans Close  
 Harworth  
 Doncaster  
 DN11 8RY

[01302 756 777](tel:01302756777)  
[info@certex.co.uk](mailto:info@certex.co.uk)