

POWERTEX Bow Shackle PBSP

POWERTEX

Design: Bow type shackle supplied **with screw pin**. According to EN 13889 and meets performance requirements of US Federal Specification RR-C-271 Type IVA Class 2, Grade A.

Material: Forged alloy steel, supplied with alloy bolt.

Marking: According to standard, WLL, CE, size, grade, batch number and manufacturer ID.

Finish: All parts hot dip galvanized + screw pin additional powder painted.

Standard: EN 13889

Safety factor: 6:1.

Grade: 6



Select a row from the table below, then click the add to quote button

Part Code	Code	WLL ton	Nominal size In.	Pin Ø d1 (mm)	a* mm	c* mm	d mm	d2 (mm)	e (mm)	Weight kg
05A4190	1331	0.33	3/16	6,3	10	22,6	5	14,5	15,5	0.026
05A4200	1332	0.5	1/4	8	13	29	6,5	17,5	20	0.048
05A4205	1333	0.75	5/16	9,5	13,5	31	8	21	21,5	0.082
05A4210	1334	1	3/8	11,2	17	36,5	10	25	26,2	0.15
05A4220	1335	1.5	7/16	12,7	18,5	42,9	11,3	27	29,5	0.2
05A4230	1336	2	1/2	15,8	20,6	47,75	12,7	30,5	33,3	0.3
05A4240	1337	3.25	5/8	18,6	27	60	16	40	43	0.65
05A4250	1338	4.75	3/4	22	32	71,5	19	48	51	1.01
05A4260	1339	6.5	7/8	25	37	84,5	22	54	58	1.5
05A4270	1340	8.5	1	28	43,5	96,25	26,5	60	68,5	2.25
05A4280	1341	9.5	1-1/8	32	48	109	29	68	75	3.25
05A4300	1342	12	1-1/4	35	53	120,5	32	76	84	4.45
05A4310	1343	13.5	1-3/8	38	59	134	35	84	94	5.95
05A4320	1344	17	1-1/2	42	62	148,5	38	92	99	7.72
05A4330	1345	25	1-3/4	50	75	178	45	106	128	12.64
05A4340	1346	35	2	55	84	197,5	52	122	148	18.72
05A4350	1347	55	2-1/2	70	107	269,5	66	145	186	37
--		85	3	80	130	325	76	165	205	58

*Tolerance: +/- 5%

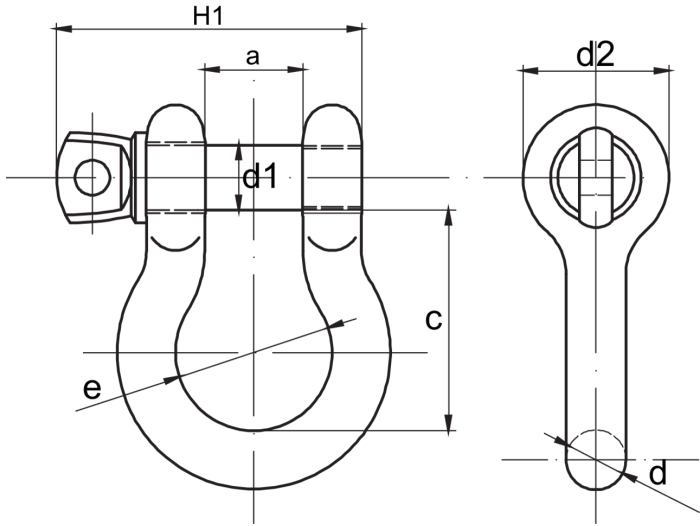
1

Add to quote

Manuals

Manuals

Download



Unit C1, Harworth Industrial Estate
Bryans Close
Harworth
Doncaster
DN11 8RY

[01302 756 777](tel:01302756777)
info@certex.co.uk