

POWERTEX Bow Shackle PBSP

POWERTEX



Bow type shackle PBSP is a high quality shackle intended for use in demanding environments.

It is supplied with a screw pin for quick and easy opening.

The shackle comply to EN 13889 and meets the performance requirements of US Federal Specification RR-C-271 Type IVA Class 2, Grade A.

Features:

- Safe – All POWERTEX shackles are manufactured and tested in accordance to EN 13889
- All bodies and screw pins marked with batch number for traceability
- Larger sizes equipped with arrows to indicate 45 degrees to vertical
- Raised pad for dedicated and easy individual ID (3,25 t and up)
- The bow is forged in closed dies
- All parts are made from alloy steel being quenched and tempered
- All parts including screw pins and nuts are hot dip galvanized for long life
- High quality hot dip galvanization process giving an exclusive mat grey finish
- Screw pins are additionally painted in blue and red for quick and easy detection as original POWERTEX parts
- Multilanguage user manuals

Material: Forged alloy steel, supplied with alloy screw pin.

Marking: According to standard, POWERTEX (PT or PTEX) , WLL, CE, size, grade and batch number.

Finish: All parts hot dip galvanized. Bolt additional powder painted.

Standard: EN 13889

Safety factor: 6:1.

Grade: 6



Select a row from the table below, then click the add to quote button

| Part Code | Code | WLL ton | Nominalsize In. | Pin Ø d1 mm | a* mm | c* mm | d mm | d2 mm | e mm | Weight kg |
|-----------|------|---------|-----------------|-------------|-------|-------|------|-------|------|-----------|
| 05A4190 | 1331 | 0.33 | 3/16 | 6,3 | 10 | 22,6 | 5 | 14,5 | 15,5 | 0.026 |
| 05A4200 | 1332 | 0.5 | 1/4 | 8 | 13 | 29 | 6,5 | 17,5 | 20 | 0.048 |
| 05A4205 | 1333 | 0.75 | 5/16 | 9,5 | 13,5 | 31 | 8 | 21 | 21,5 | 0.082 |
| 05A4210 | 1334 | 1 | 3/8 | 11,2 | 17 | 36,5 | 10 | 25 | 26,2 | 0.15 |
| 05A4220 | 1335 | 1.5 | 7/16 | 12,7 | 18,5 | 42,9 | 11,3 | 27 | 29,5 | 0.2 |
| 05A4230 | 1336 | 2 | 1/2 | 15,8 | 20,6 | 47,75 | 12,7 | 30,5 | 33,3 | 0.3 |
| 05A4240 | 1337 | 3.25 | 5/8 | 18,6 | 27 | 60 | 16 | 40 | 43 | 0.65 |
| 05A4250 | 1338 | 4.75 | 3/4 | 22 | 32 | 71,5 | 19 | 48 | 51 | 1.01 |
| 05A4260 | 1339 | 6.5 | 7/8 | 25 | 37 | 84,5 | 22 | 54 | 58 | 1.5 |
| 05A4270 | 1340 | 8.5 | 1 | 28 | 43,5 | 96,25 | 26,5 | 60 | 68,5 | 2.25 |
| 05A4280 | 1341 | 9.5 | 1-1/8 | 32 | 48 | 109 | 29 | 68 | 75 | 3.25 |
| 05A4300 | 1342 | 12 | 1-1/4 | 35 | 53 | 120,5 | 32 | 76 | 84 | 4.45 |
| 05A4310 | 1343 | 13.5 | 1-3/8 | 38 | 59 | 134 | 35 | 84 | 94 | 5.95 |
| 05A4320 | 1344 | 17 | 1-1/2 | 42 | 62 | 148,5 | 38 | 92 | 99 | 7.72 |
| 05A4330 | 1345 | 25 | 1-3/4 | 50 | 75 | 178 | 45 | 106 | 128 | 12.64 |
| 05A4340 | 1346 | 35 | 2 | 55 | 84 | 197,5 | 52 | 122 | 148 | 18.72 |
| 05A4350 | 1347 | 55 | 2-1/2 | 70 | 107 | 269,5 | 66 | 145 | 186 | 37 |
| -- | | 85 | 3 | 80 | 130 | 325 | 76 | 165 | 205 | 58 |

*Tolerance: +/- 5%

1

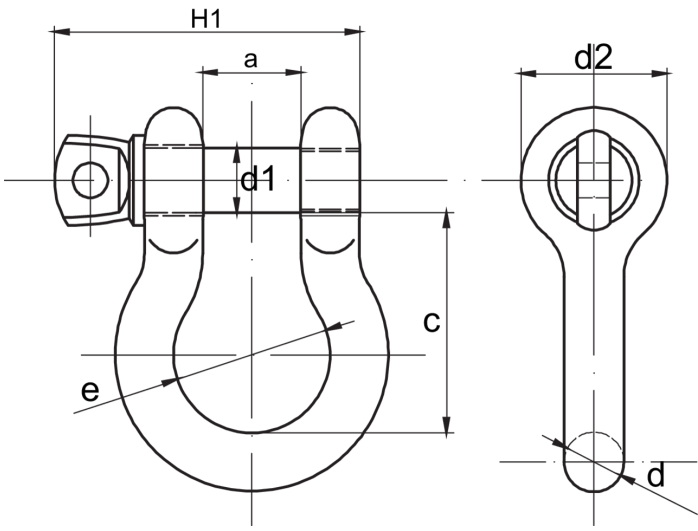
Add to quote

Manuals

Manuals

Select ▾

Download



Unit C1, Harworth Industrial Estate
Bryans Close
Harworth
Doncaster
DN11 8RY

[01302 756 777](tel:01302756777)
info@certex.co.uk