

Bow Shackle POWERTEX PBSB

POWERTEX

Design: Bow type shackle supplied with head-bolt with nut and stainless cotter pin. According to EN 13889 and meets performance requirements of US Federal Specification RR-C-271 Type IVA Class 3, Grade A.

Material: Forged alloy steel, supplied with alloy bolt.

Marking: According to standard, WLL, CE, size, grade, batch number and manufacturer ID.

Finish: All parts hot dip galvanized + head-bolt and nut additional powder painted.

Standard: EN 13889

Safety factor: 6:1

Grade: 6



Select a row from the table below, then click the add to quote button

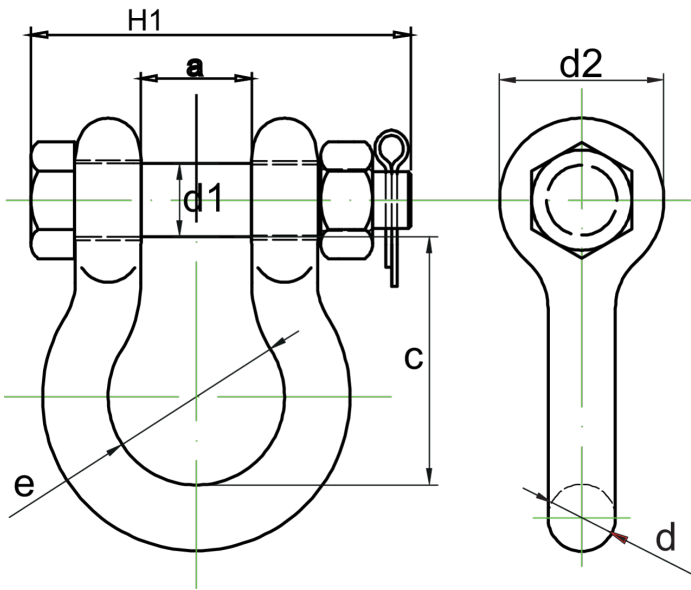
Part Code	Code	WLL ton	Pin Ø d1 (mm)	Nominal Size	a* mm	c* mm	d mm	d2 (mm)	e (mm)	H1 mm	Weight kg
05A4010	1232	0.5	8	1/4	13	29	6,5	17,5	20	42,5	0.05
05A4020	1233	0.75	9,5	5/16	13,5	31	8	21	21,5	47	0.1
05A4040	1234	1	11,2	3/8	17	37	10	25	26,2	56,5	0.15
05A4030	1235	1.5	12,7	7/16	18,5	43	11,3	27	29,5	63,5	0.22
05A4050	1236	2	15,8	1/2	20,6	48	12,7	30,5	33,3	75,5	0.36
05A4060	1237	3.25	18,8	5/8	27	60	16	40	43	92	0.76
05A4070	1238	4.75	22	3/4	32	72	19	48	51	106	1.2
05A4080	1239	6.5	25	7/8	37	85	22	54	58	120	1.8
05A4090	1240	8.5	28	1	43,5	96	26,5	60	68,5	135	2.6
05A4100	1241	9.5	32	1-1/8	48	109	29	68	75	143	3.8
05A4110	1242	12	35	1-1/4	53	121	32	76	84	164	5.3
05A4120	1243	13.5	38	1-3/8	59	134	35	84	94	182	7.2
05A4130	1244	17	42	1-1/2	62	149	38	92	99	195	9.4
05A4140	1245	25	50	1-3/4	75	178	45	106	128	224	15
05A4150	1246	35	56	2	84	197	52	122	148	248	24
05A4160	1247	55	70	2-1/2	107	270	66	145	186	302	45
05A4170	1248	85	80	3	130	325	76	165	205	395	70

*Tolerance: +/- 5%

1

Add to quote

Download



Unit C1, Harworth Industrial Estate
Bryans Close
Harworth
Doncaster
DN11 8RY

[01302 756 777](tel:01302756777)
info@certex.co.uk