

Eyenuts

Material: High tensile steel

Finish: Self colour

Safety factor: MBL equals 5 x SWL

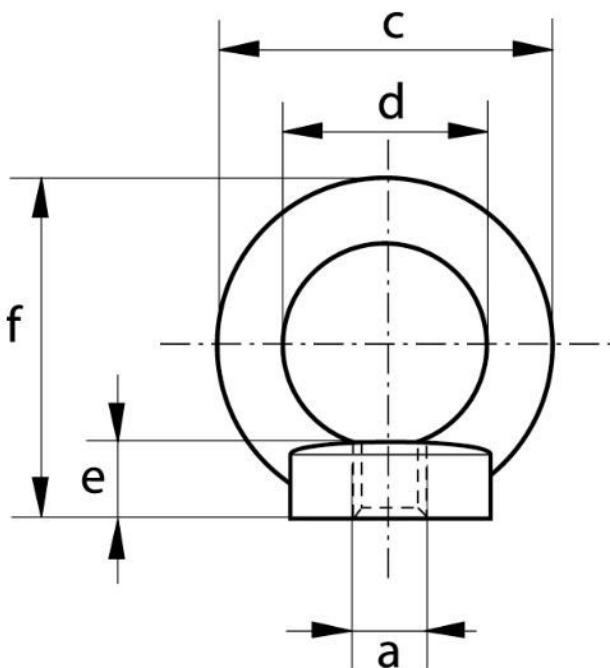


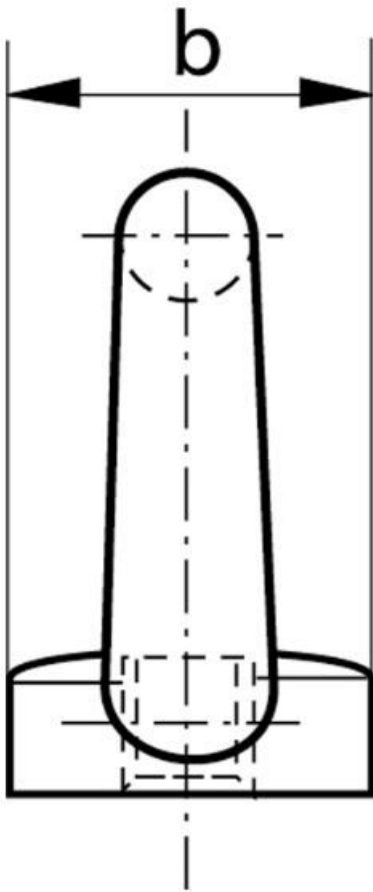
Select a row from the table below, then click the add to quote button

Part Code	WLL ton	diameter eye inside d mm	diameter eye b mm	diameter base c mm	base height e mm	Height overall f mm	Thread a	Weight kg
*	0,3	44	13	29	22	78	10	0,25
--	0,5	44	13	29	22	78	12	0,26
--	0,8	44	13	29	22	78	16	0,27
--	1,2	49	16	39	26	84	20	0,45
--	2,2	52	19	44	38	111	24	0,79

1

Add to quote





Unit C1, Harworth Industrial Estate
Bryans Close
Harworth
Doncaster
DN11 8RY

[01302 756 777](tel:01302756777)
info@certex.co.uk