

# Lifting Magnet NEO



## NEO LIFTING PERMANENT MAGNET IS SUITABLE ALSO FOR ROUND MATERIALS

The Neo magnet is widely used for handling ferromagnetic materials in the metal industry – in workshops, on building sites, in warehouses for semi-finished steel products, when handling steel workpieces, tools, sheets, metal profiled sections, tubes, and bars. The Neo permanent lifting magnet is intended for use in production plants where an emphasis is placed on enhanced safety. Thanks to strong neodymium magnets, it has a higher lifting capacity than other magnets with similar dimensions.

### Advantages:

- Simple Easy Switch control – the lifting magnet can be switched easily, quickly, and safely.
- The Air Gap test – a tear-off test is carried out with the air gap - we place emphasis on higher safety in real operating conditions.
- Robust lifting eye made of stainless steel.
- 5-year warranty for the magnetic system.
- Capacity table for easy reference right on the magnet body.
- The magnet meets the 3+ safety factor - verified by the tear-off test.
- BUX design - a compact body with only two recessed screws.



It easily handles flat, round, and cylindrical loads with emphasis on safety and convenience. The manufacturer test each individual magnet for break-away force with an air gap to simulate real operating conditions. BUX DESIGN - The magnet body is highly resistant to mechanical damage, the bearings are secured, so their life span is longer. The magnet features a versatile lifting eye design for easy suspension. The magnet enables load handling at a maximum temperature of 80°C.

**Material:** Robust construction ensures high durability even under harsh conditions.

**Marking:** According to standard

**Temperature range:** -40°C up to +80°C.

**Finish:** Painted.

**Standard:** EN 13155

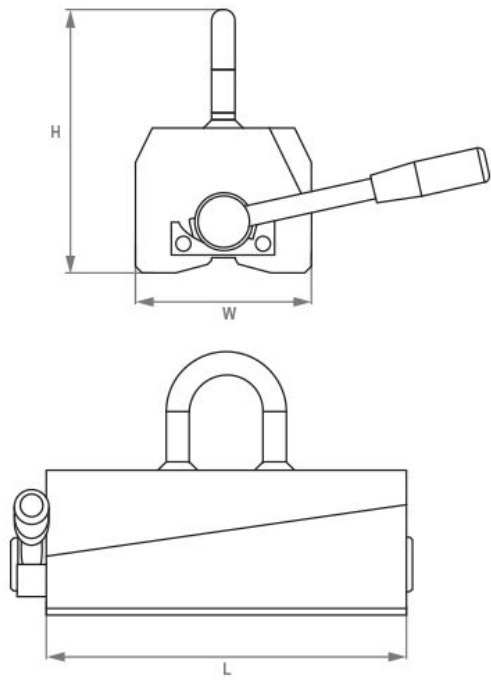
**Safety factor:** 3:1

Select a row from the table below, then click the add to quote button

Part Code	Code	WLL ton	Ø of eye mm	WLL round materials t	Ø min./max. (mm)	W mm	L mm	H mm	Weight kg
--	NEOL150	0.15	10	0,065	40/100	60	93	120	3
--	NEOL300	0.3	16	0,15	60/200	100	152	180	10
--	NEOL600	0.6	20	0,3	65/270	120	246	180	21
--	NEOL1000	1	20	0,5	100/300	146	306	236	40
--	NEOL2000	2	20	1	150/350	165	478	273	90

1

Add to quote



---

Unit C1, Harworth Industrial Estate  
Bryans Close  
Harworth  
Doncaster  
DN11 8RY

[01302 756 777](tel:01302756777)  
[info@certex.co.uk](mailto:info@certex.co.uk)