

Lifting Magnet - EN 13155

POWERTEX

General: POWERTEX permanent lifting magnets are versatile, easy to use and have a good safety margin. The magnets need limited maintenance and keep their magnetic power for a long lifetime.

POWERTEX lifting magnets are very powerful compared to their dimensions and low own weight.

- Lifts both plain and round material
- Lifts both vertical and horizontal
- Releasing of the load by two action handle for greater safety.

Marking: According to standard

Standard: EN 13157

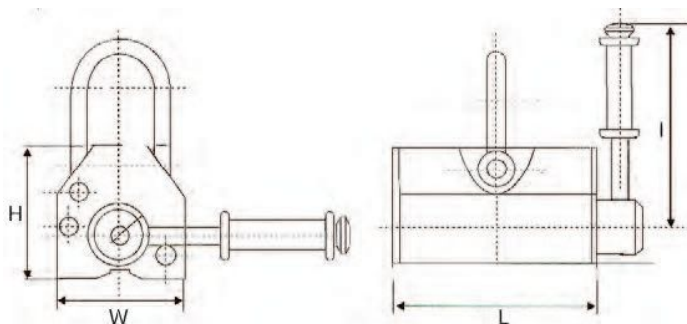


Select a row from the table below, then click the add to quote button

Part Code	Type	rated lifting strength (KGF)	cylindrical lifting strength (KGF)	max pull-off strength (KGF)	operation temperature (C)	Dead weight (kg)	W mm	L mm	H mm	I mm
06G0010	PLM-1	100	30	400	<80	3	80	105	82	140
06G0020	PLM-3	300	100	1.2	<80	10	92	162	91	155
06G0030	PLM-6	600	200	2.4	<80	24	122	232	117	196
06G0040	PLM-10	1	300	4	<80	50	176	258	163	285
--	PLM-20	2	600	8	<80	125	234	378	212	426
--	PLM-30	3	1	12	<80	220	286	458	261	521
--	PLM-60	6	2	24	<80	460	296	838	266	830

1

Add to quote



Unit C1, Harworth Industrial Estate
Bryans Close
Harworth
Doncaster
DN11 8RY

01302 756 777
info@certex.co.uk