

# Lifting Arm NEO HV



## NEO HV LIFTING ARM WITH PERMANENT MAGNET

The Neo HV lifting arm, in connection with a Neo lifting magnet, is a versatile aid for handling loads from the horizontal to the vertical position and vice versa. For example, if a plate is on a pallet and you need to move it to a lathe, you must usually make use chains, clamps, and at least two workers. With a lifting arm equipped with a Neo permanent lifting magnet, you will save manpower and make the operation more efficient.

The Neo HV is a lifting arm, thanks to which, in combination with a lifting magnet, you can easily turn a workpiece from the horizontal to the vertical position. You will appreciate this when handling sheets, metal plates and round materials for lathes and horizontal machining centres.

### Advantages:

- Possibility to adjust the arm to a wide range of diameters and widths
- Removable lifting arm for magnet replacement
- Robust lifting eye

**Marking:** According to standard

**Temperature range:** Material -10°C up to +70°C, environment 0°C up to +50°C. Beware of leaving the clamp in direct sunlight.

**Finish:** Painted.

**Standard:** EN 13155

**Note:** Only suitable for NEOLIFT and NEO HOT, which have to be ordered separately.

**Safety factor:** 3:1

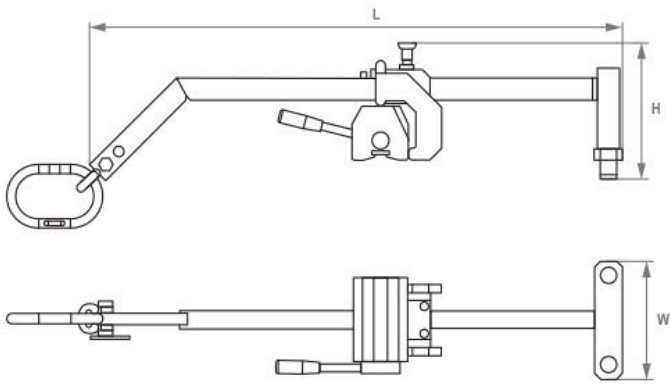


Select a row from the table below, then click the add to quote button

| Part Code | Code        | WLL ton | Workpiece width (mm) | W mm | L mm  | H mm | Weight kg |
|-----------|-------------|---------|----------------------|------|-------|------|-----------|
| --        | NEO-HV 250  | 0.25    | 300-800              | 210  | 958   | 244  | 27        |
| --        | NEO-HV 500  | 0.5     | 300-1000             | 210  | 1,158 | 244  | 38        |
| --        | NEO-HV 1000 | 1       | 300-1000             | 210  | 1,211 | 297  | 59        |

1

Add to quote



---

Unit C1, Harworth Industrial Estate  
Bryans Close  
Harworth  
Doncaster  
DN11 8RY

[01302 756 777](tel:01302756777)  
[info@certex.co.uk](mailto:info@certex.co.uk)