

Horizontal Lifting Clamp IPHOZ



General:

The IPHOZ horizontal lifting clamp is to be used for lifting and transferring, in the horizontal position, of thin sheet and other materials that will sag or bend when lifted. These clamps must be used in pairs or more.

Features:

- Available in capacities of .75 thru 15 metric tons.
- Wide variety of jaw openings available: 0 to 60mm.
- Welded alloy steel body for strength and smaller size. Forged alloy components, where required.
- Individually Proof Tested to 2 times the Working Load Limit with certification.
- User manual with test certificate is included with each clamp.
- Maintenance and repair kits are available.
- All sizes are RFID EQUIPPED.

Material: Alloy steel.

Marking: According to standard, CE-marked

Standard: EN 13155

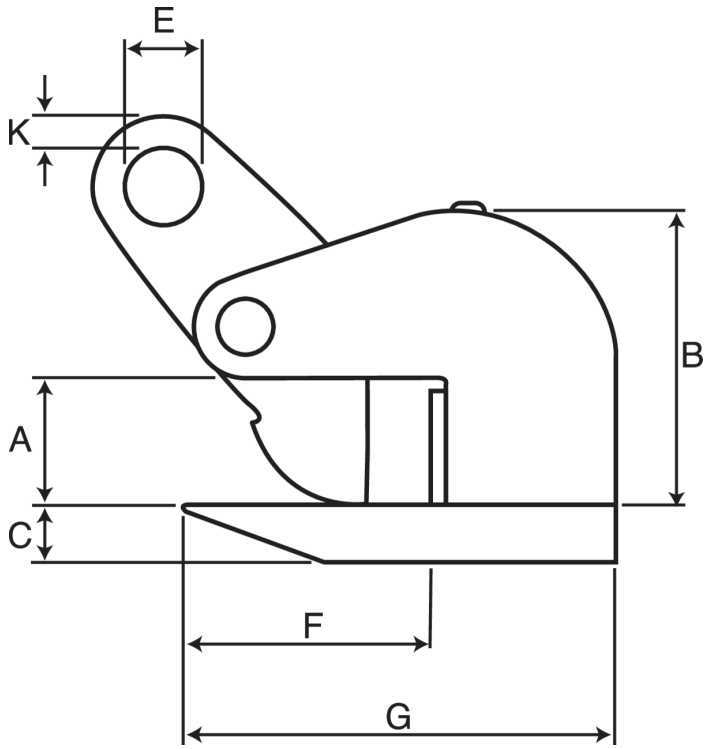
Warning: Only to be used in pairs.



Select a row from the table below, then click the add to quote button

Part Code	WLL ton	IP Model.	Jaw width (mm)	B mm	C mm	E mm	F mm	G mm	H mm	J mm	K mm	L mm	Weight kg
--	0.75	0.75-IPHOZ	0 - 30	94	16	16	70	118	81	12	31	12	3
--	1.5	1.5-IPHOZ	0 - 45	133	16	22	125	192	100	16	36	12	5.5
--	3	3-IPHOZ	0 - 45	137	20	26	125	200	120	20	48	10	8
--	4.5	4.5-IPHOZ	0 - 45	138	25	30	126	220	120	20	50	10	8.5
--	6	6-IPHOZ	0 - 60	171	30	36	135	235	130	20	56	20	15.5
--	9	9-IPHOZ	0 - 60	211	30	43	166	276	160	25	62	20	20.5
--	12	12-IPHOZ	0 - 60	217	40	47	168	294	190	25	62		38
--	15	15-IPHOZ	0 - 60	220	40	47	183	317	250	25	62	22	38

The Working Load Limit in the table is per pair (ton/pair)



Unit C1, Harworth Industrial Estate
Bryans Close
Harworth
Doncaster
DN11 8RY

01302 756 777
info@certex.co.uk