

Beam Clamp - IPTKW



General:

The IPTKW series beam clamp is suitable for use as a temporary tackle eye for a beam and it is an economy version of the IPTK model.

Features:

- Available in capacities of 2 thru 5 metric tons.
- Wide variety of jaw openings available: 75 to 350 mm.
- Welded alloy steel body for strength and smaller size. Forged alloy components, where required.
- Individually Proof Tested to 2 times the Working Load Limit with certification.
- User manual with test certificate is included with each clamp.
- Maintenance and repair kits are available.
- All sizes are RFID EQUIPPED.

Material: Alloy steel

Marking: According to standard, CE-marked

Standard: EN 13155

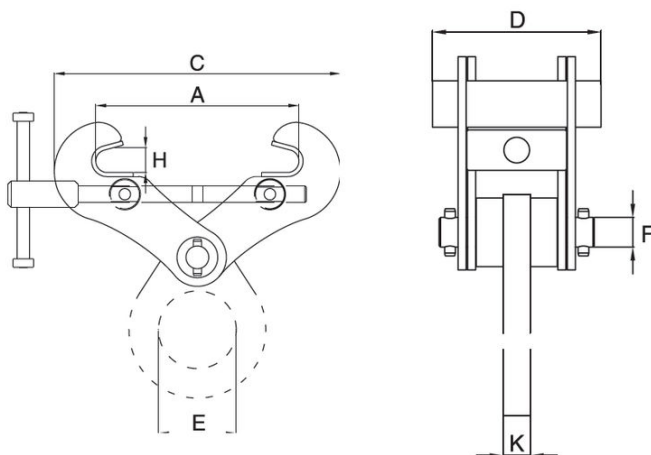


Select a row from the table below, then click the add to quote button

Part Code	WLL ton	I P Model.	Jaw width mm	C mm	D mm	F mm	H mm	Weight kg
06D0190	2	2-IPTKW	75-190	jaw+80	125	28	25	4
06D0200	3	3-IPTKW	75-190	jaw+80	125	28	25	4.5
06D0210	4	4-IPTKW	150-280	jaw+100	125	33	35	6.3
06D0220	5	5-IPTKW	120-350	jaw+195	125	33	40	8.8

1

Add to quote



Unit C1, Harworth Industrial Estate
Bryans Close
Harworth
Doncaster
DN11 8RY

01302 756 777
info@certex.co.uk