

# Beam Clamp - IPTKW



**General:**

The IPTKW series beam clamp is suitable for use as a temporary tackle eye for a beam and it is an economy version of the IPTK model.

**Features:**

- Available in capacities of 2 thru 5 metric tons.
- Wide variety of jaw openings available: 75 to 350 mm.
- Welded alloy steel body for strength and smaller size. Forged alloy components, where required.
- Individually Proof Tested to 2 times the Working Load Limit with certification.
- User manual with test certificate is included with each clamp.
- Maintenance and repair kits are available.
- All sizes are RFID EQUIPPED.

**Material:** Alloy steel

**Marking:** According to standard, CE-marked

**Standard:** EN 13155

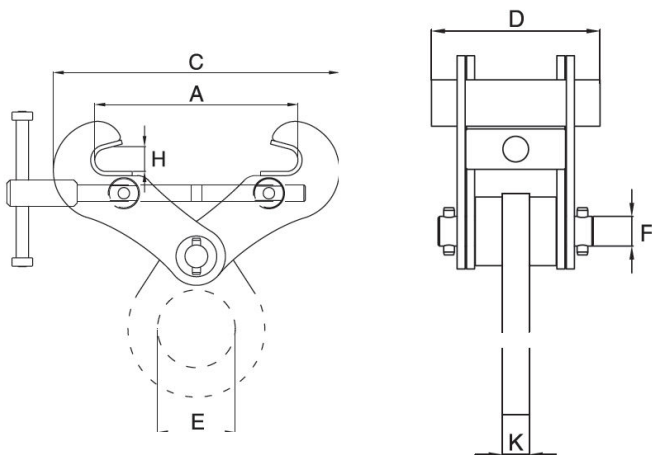


Select a row from the table below, then click the add to quote button

Part Code	WLL ton	Jaw width mm	I P Model.	C mm	D mm	F mm	H mm	Weight kg
06D0190	2	75-190	2-IPTKW	jaw+80	125	28	25	4
06D0200	3	75-190	3-IPTKW	jaw+80	125	28	25	4,5
06D0210	4	150-280	4-IPTKW	jaw+100	125	33	35	6,3
06D0220	5	120-350	5-IPTKW	jaw+195	125	33	40	8,8

1

Add to quote



---

Unit C1, Harworth Industrial Estate  
Bryans Close  
Harworth  
Doncaster  
DN11 8RY

01302 756 777  
[info@certex.co.uk](mailto:info@certex.co.uk)