

Beam Clamp - IPTK



General:

This IPTK series beam clamp is suitable for use as a temporary tackle eye for horizontal lifting and transportation of steel (H) beams, profiles and structures. Can also be used as upside down attached (temporary) lifting point.

Features:

- Available in capacities of 2 thru 25 metric tons.
- Wide variety of jaw openings available: 75 to 1020 mm".
- Welded alloy steel body for strength and smaller size. Forged alloy components, where required.
- Individually Proof Tested to 2 times the Working Load Limit with certification.
- User manual with test certificate is included with each clamp.
- Maintenance and repair kits are available.
- All sizes are RFID EQUIPPED.

Material: Steel.

Marking: According to standard, CE-marked

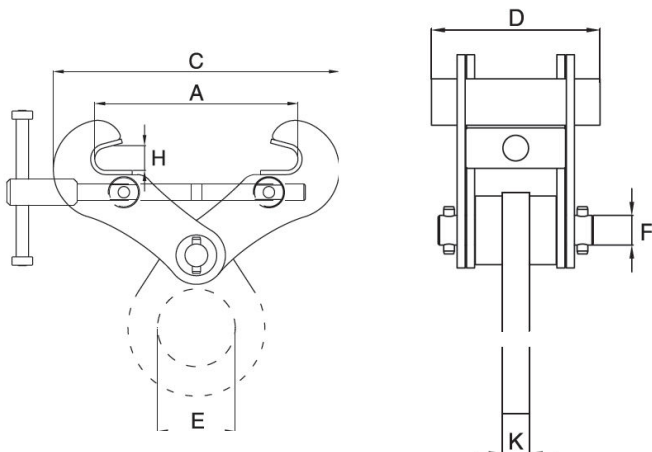
Standard: EN 13155



Select a row from the table below, then click the add to quote button

Part Code	WLL ton	IP Model.	Jaw width mm	C mm	D mm	E mm	H mm	K mm	Weight kg
06D0230	2	2-IPTK	75-190	jaw+80	125	75	25	20	6
06D0240	3	3-IPTK	75-190	jaw+80	125	75	25	20	6.5
06D0250	4	4-IPTK	150-280	jaw+100	125	75	35	20	8.5
06D0260	5	5-IPTK	120-350	jaw+195	125	75	40	20	11
--	25	25-IPTK	450-1020	jaw+220	500	125	76	45	225

1 [Add to quote](#)



Unit C1, Harworth Industrial Estate
Bryans Close
Harworth
Doncaster
DN11 8RY

01302 756 777
info@certex.co.uk