

# Beam Clamp - IPBHZ



**General:**

The IPBHZ beam clamp is used for horizontal lifting and transferring of steel beams. The base is slotted to allow the clamps to be used from end of beams as well as from the flange. This series of clamps can be used in vertical and horizontal moving, transferring and stacking of different types of structural designs, such as I-Beams, H-beams, angles, etc, depending on the application desired.

**Features:**

- Available in capacities of .75 thru 12 metric tons.
- Wide variety of jaw openings available from 75 to 40 mm.
- Welded alloy steel body for strength and smaller size. Forged alloy components, where required.
- Individually Proof Tested to 2 times the Working Load Limit with certification.
- Maintenance and repair kits are available.
- All sizes are RFID EQUIPPED.

**Material:** Alloy steel.

**Marking:** According to standard, CE-marked

**Standard:** EN 13155

**Warning:** A minimum load of 10% of the WLL is required.

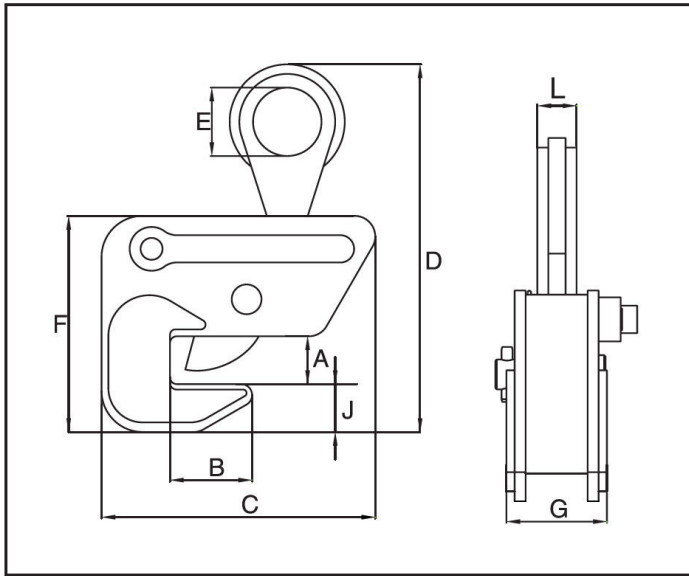


Select a row from the table below, then click the add to quote button

Part Code	WLL ton	IP Model.	Jaw width (mm)	B mm	C mm	D mm	E mm	F mm	G mm	J mm	L mm	Weight kg
--	0.75	0.75-IPBHZ	0-25	40	148	220	50	130	69	33	22	3
--	1.5	1.5-IPBHZ	0-25	60	203	255	50	158	73	35	28	6
--	3	3-IPBHZ	0-40	80	227	325	70	188	112	38	32	10.5
--	4.5	4.5-IPBHZ	0-40	112	284	413	70	251	116	80	40	25

1

Add to quote



Unit C1, Harworth Industrial Estate  
Bryans Close  
Harworth  
Doncaster  
DN11 8RY

01302 756 777  
[info@certex.co.uk](mailto:info@certex.co.uk)