

Swivel Jaw / Hook Crosby S1



Design: Jaw and hook swivel with tapered roller thrust bearing.
Suitable for frequent rotation under load.

Marking: WLL.

Note: Crosby swivels should only be used with the recommended wire rope.

Warning: NOT TO BE USED ON DEMOLITION (WRECKING) BALLS.

Safety factor: 5:1



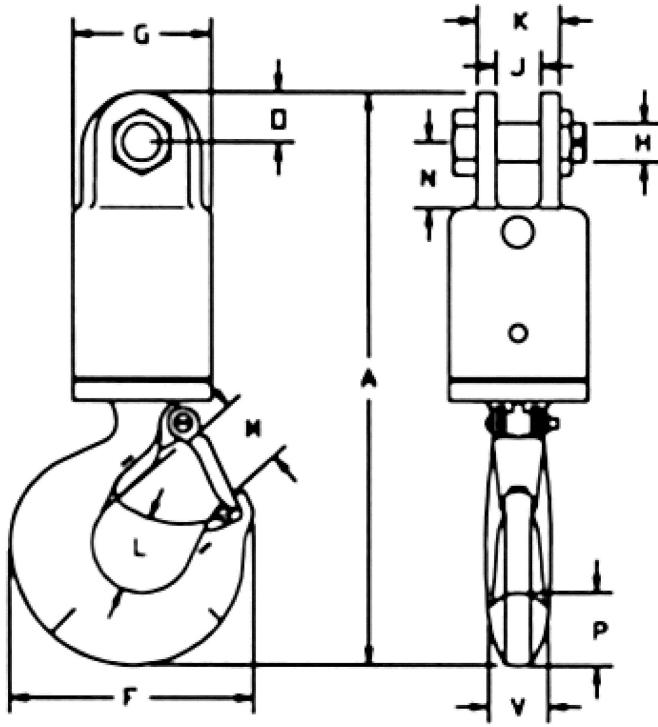
Select a row from the table below, then click the add to quote button

Part Code	WLL ton	Rope Ø mm	Swivel No	A mm	F mm	G mm	H mm	J mm	K mm	L mm	M mm	N mm	O mm	P mm	V mm	Weight kg
--	3	13	3-S-1	291	123	70,0	19,1	22,4	41,1	38,9	35,8	33,3	25,4	36,6	28,4	4.45
--	5	16	5-S-1	339	160	76,0	22,4	25,4	57,0	49,3	42,9	41,1	28,4	46,0	36,6	7.04
--	8.5	19	8-S-1	418	192	102	25,4	39,5	71,5	62,5	56,5	54,0	35,1	57,0	41,1	13.3
--	10	22	10-S-1	502	212	114	38,1	44,5	86,0	66,0	61,0	89,0	44,5	66,0	49,3	21.2
--	15	26	15-S-1	565	263	127	38,1	44,5	86,0	71,5	81,0	89,0	44,5	76,0	60,5	33.5
--	25		25-S-1	680	346	152	51,0	51,0	117	87,5	92,0	93,5	60,5	93,0	76,0	64
--	35		35-S-1	760	357	165	51,0	51,0	117	98,5	95,5	93,5	60,5	116	81,0	100
--	45		45-S-1	891	392	178	57,0	63,5	127	121	108	102	76,0	129	82,5	114

*Individually Proof Tested to 2 times the Working Load Limit. Ultimate Load is 5 times the Working Load Limit.

1

Add to quote



Unit C1, Harworth Industrial Estate
Bryans Close
Harworth
Doncaster
DN11 8RY

01302 756 777
info@certex.co.uk