

Crane Scale MCW Professional



General: Stainless steel crane scales, reliable and easy to use, suitable for indoor and outdoor use (IP67 dust and rain resistant). For capacities up to 6000 kg, the models are available both for internal factory use as well as CE-M APPROVED.

Main features:

Large backlit 25 mm LCD display easily visible in all lighting conditions and also with low temperatures.

Fitted with standard approved upper galvanized shackle and standard approved bottom swivelling hook.

Reduced distance between the upper shackle and bottom hook.

Precision: +/- 0.03% F.S.

Waterproof keyboard with 5 keys: ZERO, AUTOMATIC TARE, MODE, PRINT, and ON/OFF.

MODE-key configurable as: PEAK (maximum value read), HOLD (blocking the weight viewed), Weighs accumulation, lb/kg conversion.

IP67 STAINLESS STEEL case (dust and rain).

Fitted with remote control for up to a 8 m distance. The remote control may be configured by the customer as automatic tare only, or as a remote keypad.

Rechargeable sealed battery with a 40-hour life battery. On request, it is available a second battery for a 24/24h use.

Equipped with 230Vac 50 Hz battery charger.

Operating temperature: -10/+40°C.

Programmable digital filter and auto switch-off.

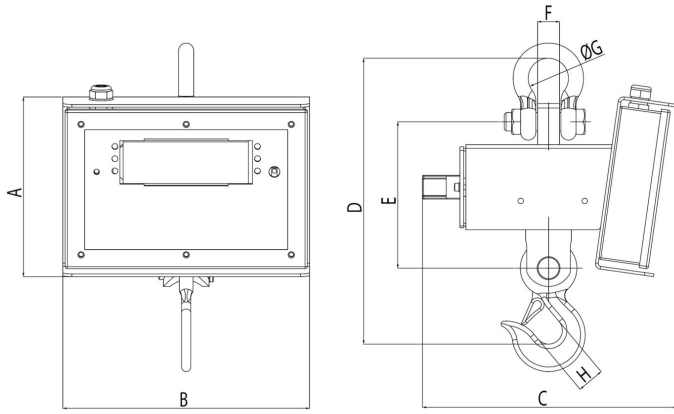


Select a row from the table below, then click the add to quote button

Part Code	Code	Max. cap. kg	Std.division kg	HR division kg	A mm	B mm	C mm	D mm	E mm	F mm	G mm	H mm	Weight kg
--	MCW 300R2	300	0,1	0,05	196	270	279	312	160	24	44	30	10
--	MCW 600R2	600	0,2	0,1	196	270	279	312	160	24	44	30	10
--	MCW 150R2	150	0,05	0,02	196	270	279	312	160	24	44	30	10
--	MCW 1500R2	1,500	0,5	0,2	196	270	279	312	160	24	44	30	16
--	MCW 3000	3,000	1,0	0,5	196	270	279	440	187	33	58	47	16
--	MCWT6	6,500	2,0	1,0	196	270	279	440	187	33	58	47	16

1

Add to quote



Unit C1, Harworth Industrial Estate
Bryans Close
Harworth
Doncaster
DN11 8RY

01302 756 777
info@certex.co.uk