

## Mini Chain Hoists Red Rooster TCR-125 / TCR - 250 / TCR-500



The RED ROOSTER Mini Air Chain Hoists are besides industrial use also very suitable for "Material Handling".

Due to the low weight these hoists are very suitable for service applications. Special for use in tank cleaning installations we recommend stainless steel chain.

### Features:

- Low weight and therefore very mobile, easy mounting
- TCR-125 - TCR-250 only 7 kg, 3 meter lift included
- TCR-500/2 only 9 kg, 3 meter lift included
- Precise variable speed control (cord - and pendant control)
- Very compact design
- Robust aluminum housing
- Air motor is cooled by the exhaust air (internal)
- Cord control or pendant control
- Low noise level

### Optional:

- Marine Specification/Corrosion resistant
- Paint systems from C2 - Industrial to C5 - Offshore specification (Red finish as standard. Other RAL colours available on request).
- Choice of pendants.
- Radio control pendant for electro pneumatic controls.
- Control systems.
- Chain collectors (PVC, galvanised or stainless steel).
- Various types of hook or clevis available.
- Air supply systems and valves.
- Air Service unit.
- Piped away exhaust air.
- In house design for "specials".
- Festoon systems.
- Main air shut off valve.

### ATEX:

- According to EC Directive 94/9/EC (Ex Classification)

### Recommended:

We highly recommend the use of an SMC air treatment unit. (Sold separately.)



Select a row from the table below, then click the add to quote button

Part Code	WLL	Lifting height m	Type	Chain falls	Lifting speed without load m/min	Air consumption lifting (l/sec)	Lifting speed with load m/min	Lowering speed with load m/min	Air consumption lowering (l/sec)	Weight with 3m HOL
--	0,125	3	TCR-125C	1	19	11,7	14	16	15	7
--	0,125	3	TCR-125DPE	1	17,2	11,7	12,8	13	15	8,6
--	0,25	3	TCR-250C	1	19	11,7	9,3	17	15	7
--	0,25	3	TCR-250DPE	1	17,2	11,7	8,1	13	15	7
--	0,5	3	TCR-500C2	2	9,5	11,7	4,6	9	15	9
--	0,5	3	TCR-500DP2	2	9,5	11,7	4,6	9	15	9

1

Add to quote

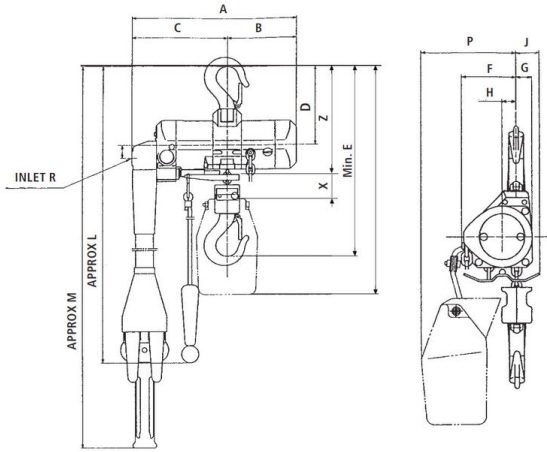
## DIMENSIONS

Type	A	B	C	D	E	F	G	H	J	K	L	M	N	P	R	X
TCR-125C	249	112	137	130	305	71	21	19	33	-	1.660	-	375	124	P/T 3/8	40
TCR-125DPE	286	112	174	130	305	71	21	19	33	21	-	2310	375	124	P/T 3/8	40

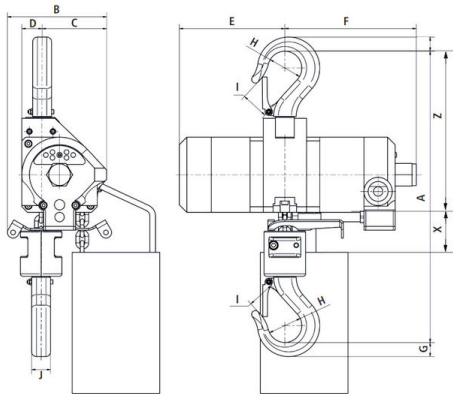
Type	A	B	C	D	E	F	G	H	I	J	X	Z
TCR-250C	305	105	69	22	112	140	15	35	22	20	40	170
TCR-250DPE	305	105	69	22	112	140	15	35	22	20	40	170
TCR-500C2 /DP2	360	118	83	35	112	140	15	36	22	20	40	180



## TCR-125



## TCR-250/500



Unit C1, Harworth Industrial Estate  
Bryans Close  
Harworth  
Doncaster  
DN11 8RY

[01302 756 777](tel:01302756777)  
[info@certex.co.uk](mailto:info@certex.co.uk)