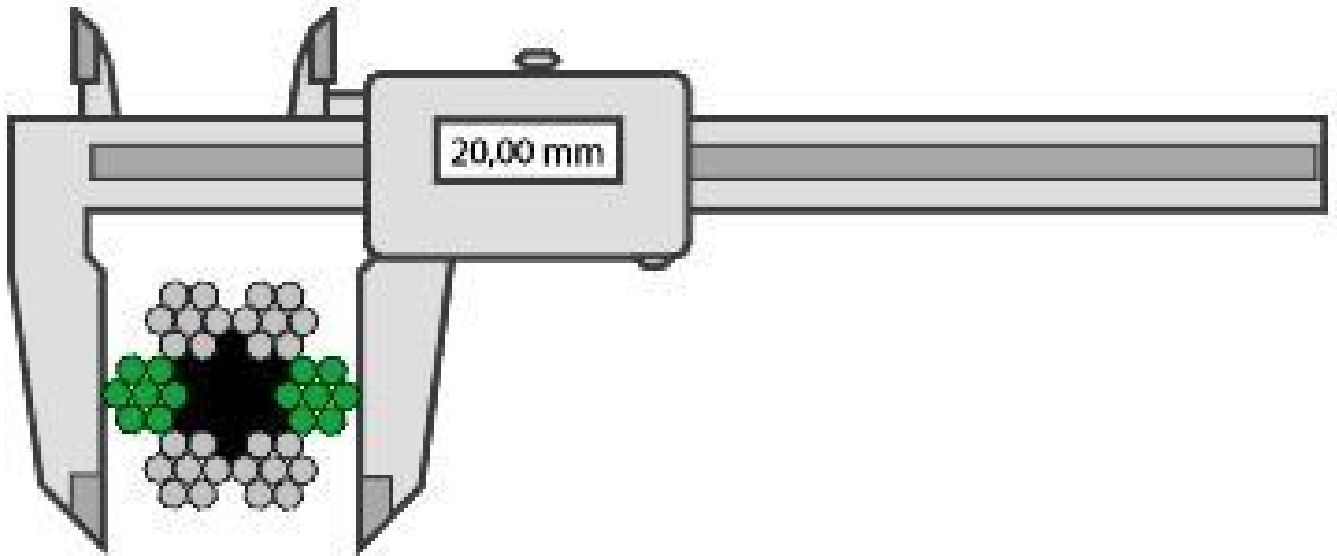


[Home /](#)

## Wire Rope Diameter

The rope diameter should always be checked before installation. Measure a straight part of the rope. Two parts with minimum distance of one meter should be measured. At every point two measurements should be done, with an angle of 90 degrees displacement in relation to each other. The average between the two measurements should be according to the tolerance detailed in the tables below.



Unit C1, Harworth Industrial Estate  
Bryans Close  
Harworth  
Doncaster  
DN11 8RY

01302 756 777  
[info@certex.co.uk](mailto:info@certex.co.uk)