

EyenuTs

Product information



Certification: As standard; EC Declaration of Conformity

... [Read more](#)

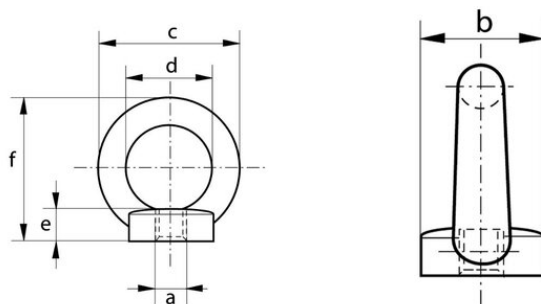
Material: High tensile steel

Finish: Self colour

Safety factor: MBL equals 5 x SWL

Eyenuts

Blueprint



Technical data

Part code	WLL ton	a mm	b mm mm	c mm	d mm mm	e mm mm	f mm mm	Weight kg
421100030160	0.3	10	13	29	44	22	78	0.25
421100050160	0.5	12	13	29	44	22	78	0.26
421100080160	0.8	16	13	29	44	22	78	0.27
421100120160	1.2	20	16	39	49	26	84	0.45
421100220160	2.2	24	19	44	52	38	111	0.79