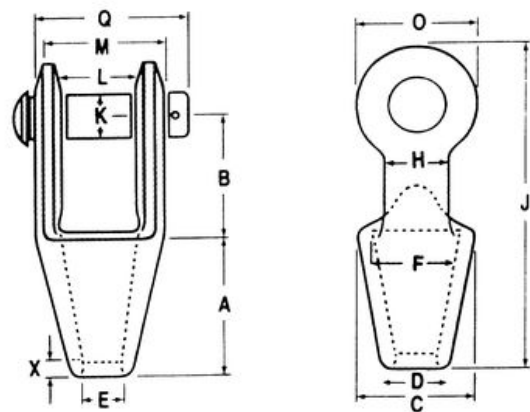


## Open Socket BS463:1958

### Product information



**Standard:** BS 463:1958

**Features:** High Quality UK Manufactured Wire Rope Socket

**Material:** Drop Forged Steel

**Marking:** ID code and Manufacturer's symbol

**Finish:** Ungalvanised

**Safety factor:** 5:1

Part Code	Rope Ø range mm	Stock Code EN5A	Nom size (dia of rope) inch	X mm	Split cotter pin dia mm	SWL En 5A tf	SWL En 16 tf	A mm	B mm	C mm	D mm	E mm	F mm	H mm	M mm	O mm	Q mm	Delivery time
--	8	04A0280	5/16	4	3.2	0.762	-	42.9	31.8	30.2	15.9	9.5	15.9	14.3	31.8	28.6	42.9	-
--	9	04A0300	3/8	4.8	3.2	1.016	-	50.8	42.9	38.1	20.6	11.9	19	20.6	42.9	38.1	54	-
--	11	04A0310	7/16	5.6	3.2	1.27	-	50.8	42.9	38.1	20.6	13.5	22.2	20.6	42.9	38.1	54	-
--	13	04A0320	1/2	6.4	4	2.032	3.08	60.3	52.4	44.4	23.8	15.1	25.4	22.2	47.6	44.4	61.9	-
--	14	04A0330	9/16	7.1	4	2.286	3.52	60.3	52.4	44.4	28.8	16.7	28.6	22.2	47.6	44.4	61.9	-
--	16	04A0340	5/8	7.9	4.8	3.048	4.54	69.8	63.5	50.8	28.6	18.3	31.8	27	58.7	50.8	74.6	-
04A0420	19	04A0350	3/4	9.5	4.8	4.318	6.32	76.2	66.7	61.9	33.3	21.4	38.1	33.3	69.8	63.5	85.7	3
04A0430	22	04A0360	7/8	11.1	5.6	5.588	8.24	85.7	76.2	69.8	41.3	25.4	44.4	39.7	77.8	69.8	95.2	3
04A0440	25	04A0370	1	12.7	6.4	7.62	11.26	104.8	88.9	82.6	49.2	28.6	50.8	46	88.9	85.7	109.5	3
--	29	04A0380	1 1/8	14.3	6.4	9.652	13.74	114.3	101.6	92.1	57.2	31.8	57.2	50.8	93.7	92.1	114.3	-
--	32	04A0390	1 1/4	15.9	7.9	11.684	17.44	133.4	111.1	108	63.5	34.9	63.5	60.3	111.1	104.8	136.5	-
--	35	04A0400	1 1/8	19	9.5	14.224	20.6	152.4	114.3	127	69.8	39.7	76.2	66.7	134.9	127	165.1	-
--	38	04A0410	1 1/2	19	9.5	16.764	24	152.4	114.3	127	69.8	42.9	76.2	66.7	134.9	127	165.1	-
--	41	-	1 5/8	19	9.5	19.304	26.4	152.4	114.3	127	69.8	46	76.2	66.7	134.9	127	165.1	-

## Technical data

Nominal Size (dia of rope)		A Dia	B	C Dia	D	E	Thread B.S.W.
In	mm	mm	mm	mm	mm	mm	in
1/2	13	20.6	49.2	31.8	68.3	24.6	9/16
9/16	14	20.6	49.2	31.8	68.3	24.6	9/16
5/8	16	23.8	60.3	34.9	79.4	26.2	5/8
3/4	19	28.6	71.4	41.3	96.8	31.0	3/4
7/8	22	31.8	81.0	44.5	106	34.9	7/8
1	25	38.1	90.5	57.2	116	38.1	1 1/8
1 1/8	29	41.3	95.3	57.2	130	47.6	1 1/4
1 1/4	32	47.6	113	66.7	148	54.0	1 1/2
1 3/8	35	57.2	137	76.2	175	60.3	1 3/4
1 1/2	38	57.2	137	76.2	175	60.3	1 3/4
1 5/8	41	57.2	137	76.2	175	60.3	1 3/4

NOTES: (1) Pins supplied complete with standard castle nut and split pin.