

Open Wedge Socket BN Green Pin® G-6423

Product information



The Green Pin® Open Wedge Socket BN is an open wedge socket with a safety bolt. The socket offers a double safety (split pin and safety bolt) which prevents accidental unscrewing of the pin. The socket is made from high tensile steel, while galvanization ensures its long-term durability. The Green Pin® Open Wedge Socket BN is available for wire rope with a diameter from 7-8 up to 40-42 mm.

Certification on request: 2.1, 2.2, 3.1

... [Read more](#)

Material: high tensile steel

Marking: According to standard, CE-marked

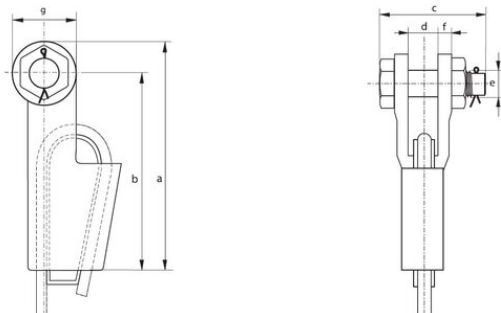
Temperature range: -20°C up to +200°C

Finish: hot dipped galvanized

Standard: EN 13411-6

Open Wedge Socket BN Green Pin® G-6423

Blueprint



Technical data

Part code	Rope Ø range mm	MBL ton	Finish	Number	a mm	b mm	c mm	d mm	e mm	f mm	g mm	Weight kg
121500800192	7-8	8	Galvanized	0.25	128	110	51	18	16	9	36	0.87
121501000192	9-10	12	Galvanized	0.5	165	142	62	20.5	21	11	46	1.8
121501300192	11-13	20	Galvanized	1	175	146	66	25	25	12	57	2.68
121501600192	14-16	25	Galvanized	2	211	176	82	31	30	15	70	4.7
121501900192	18-19	40	Galvanized	3	252	212	95	38	35	16	80	8.1
121502200192	20-22	55	Galvanized	4	288	240	110	44	41	19	95	12
121502600192	24-26	75	Galvanized	5	329	274	130	51	51	22	110	17.9
121502900192	27-29	90	Galvanized	6	375	310	144	57	57	25	130	23.7
121503200192	30-32	110	Galvanized	7	423	350	155	63	64	28	146	33
121503600192	34-36	125	Galvanized	8	474	400	163	69	64	28	148	42
121503900192	37-39	150	Galvanized	9	527	450	178	76	70	30	153	52
121504200192	40-42	170	Galvanized	10	580	500	187	76	76	33	160	73